



**VIBRATION ANALYSIS HARDWARE**



**SB152 Series Switch Box  
12 Sensor Inputs  
Product Manual**

## TABLE OF CONTENTS

- Introduction.....3
- Product Description.....3
- Product Dimensions and Diagram .....4
- Mounting Instructions.....5
- Conduit Entry .....6
- Grounding.....7
- Installation of Sensor / Signal Input Cable.....8
- Post-Installation Testing..... 11
- Warranty and Return Information ..... 12



## INTRODUCTION

CTC switch box solutions allow for the monitoring of remotely-mounted vibration sensors, which would otherwise be restricted to human access due to safety considerations.

### **SB152 Series Switch Box Overview: *Six to 12 sensor inputs (six to 12 measurement channel outputs), fiberglass enclosure***

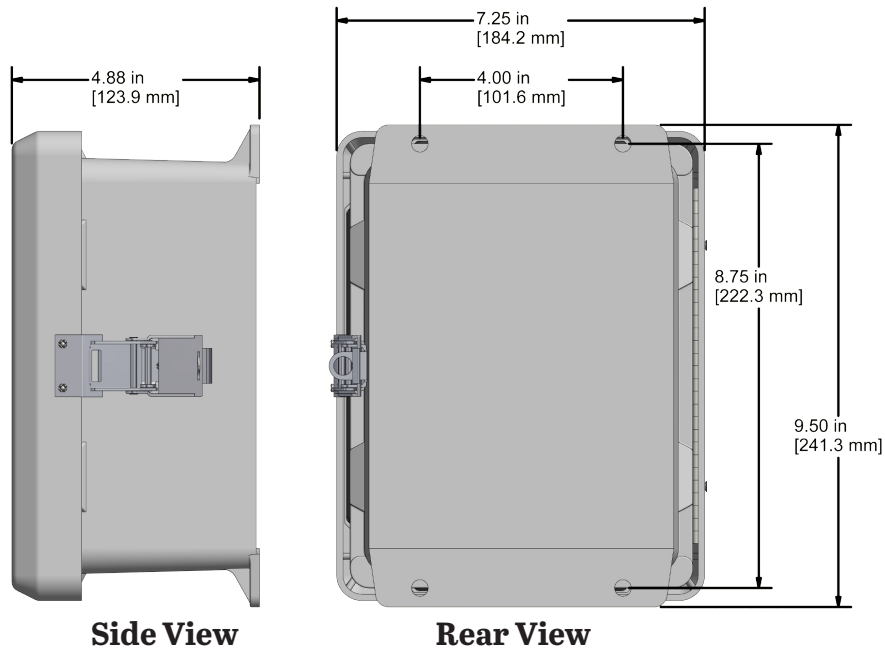
The SB152 Series switch box is a common cable termination point for bringing sensor cables into a switch box for routine data collection with portable data collectors.

The SB152 switch box is used to convert the two-conductor input wiring of up to 12 remotely-installed accelerometers or piezo velocity sensors, and/or temperature probes to a switched BNC and a switched two-pin MIL spec connector for data collection. Input wiring from each sensor is connected to the outputs via quick-connect or screw terminal blocks. Each terminal block includes inputs for positive, negative and shield. The shield drain wire is earth grounded via a ground stud that is mounted to the side of the fiberglass enclosure.

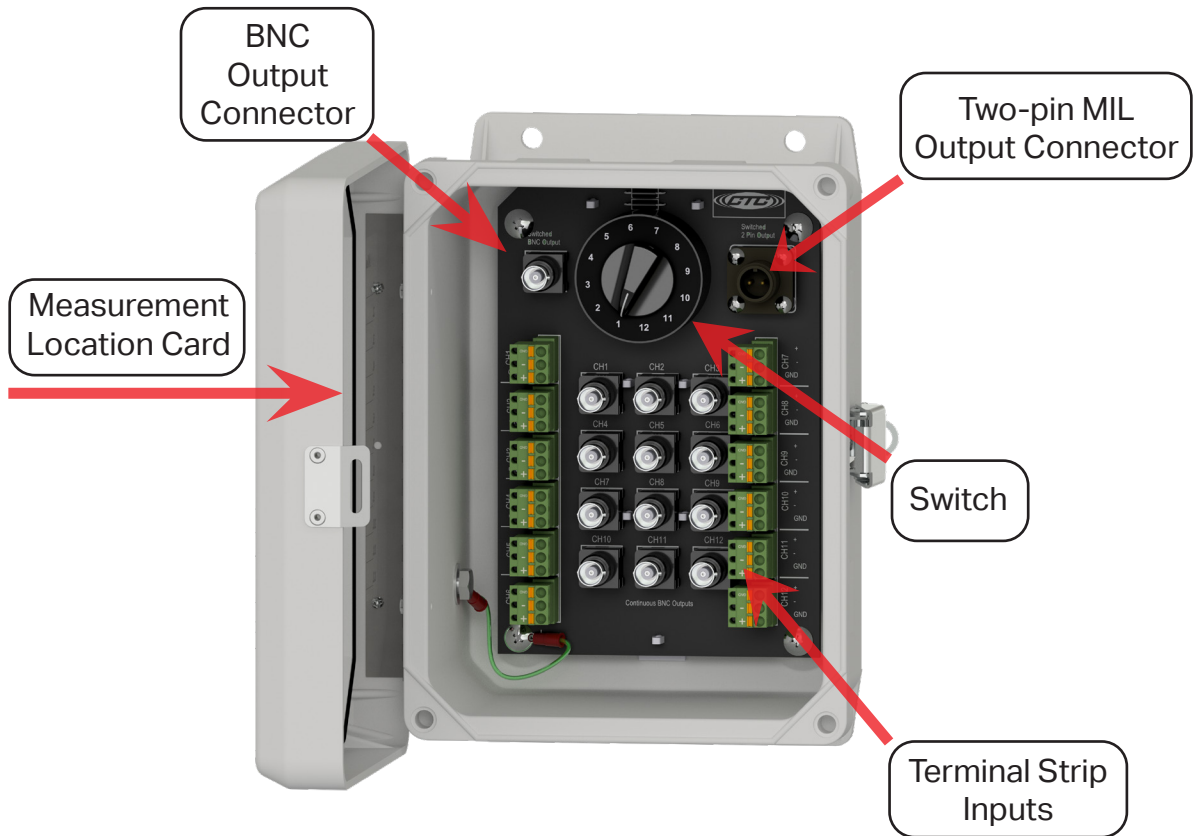
Rated for NEMA 4X (IP66), the SB152 can withstand harsh environments including temperatures ranging from -58°F to 180°F (-50°C to 82°C). The box is also resistant to hose-directed fluid and corrosion. A snap latch is installed on the door allowing the box to be sealed from the elements when not in use.



# PRODUCT DIMENSIONS



**Figure 1. Dimensions**



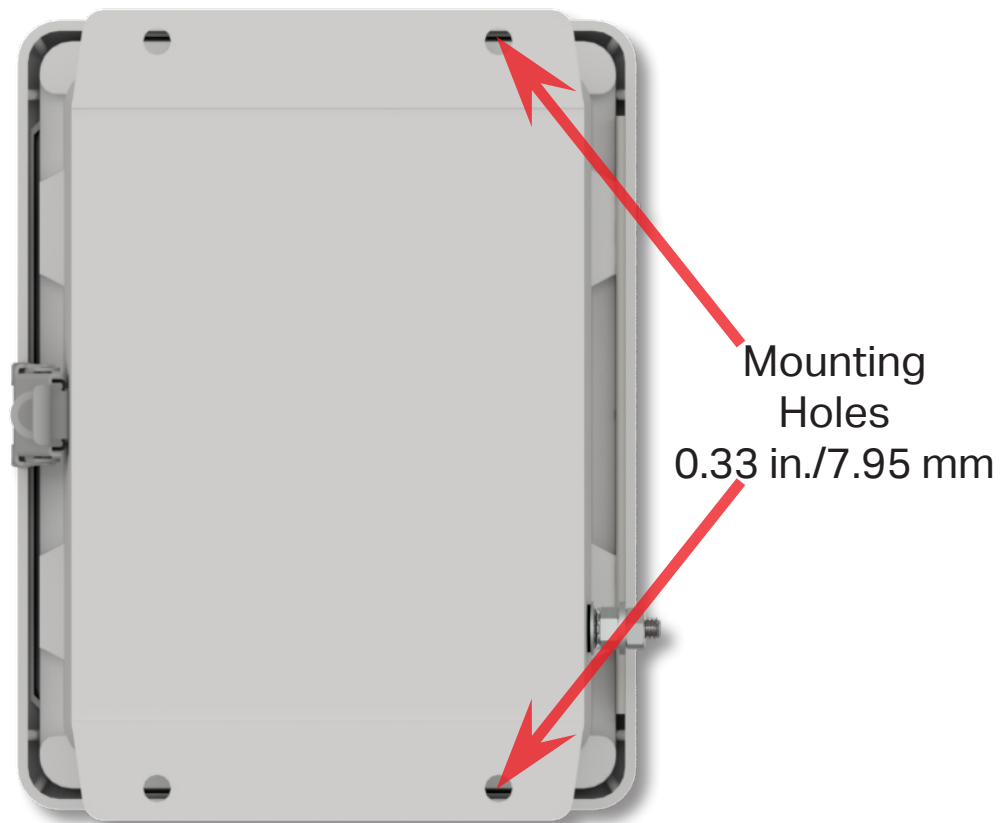
**Figure 2. Diagram**



## MOUNTING INSTRUCTIONS

SB152 Series Switch Boxes are supplied with integral mounting brackets attached.

**Note:** If you have purchased a switch box without cable entries provided, you should add your own entry prior to mounting the switch box. CTC does not recommend putting holes in the top of the enclosure due to access and moisture concerns.



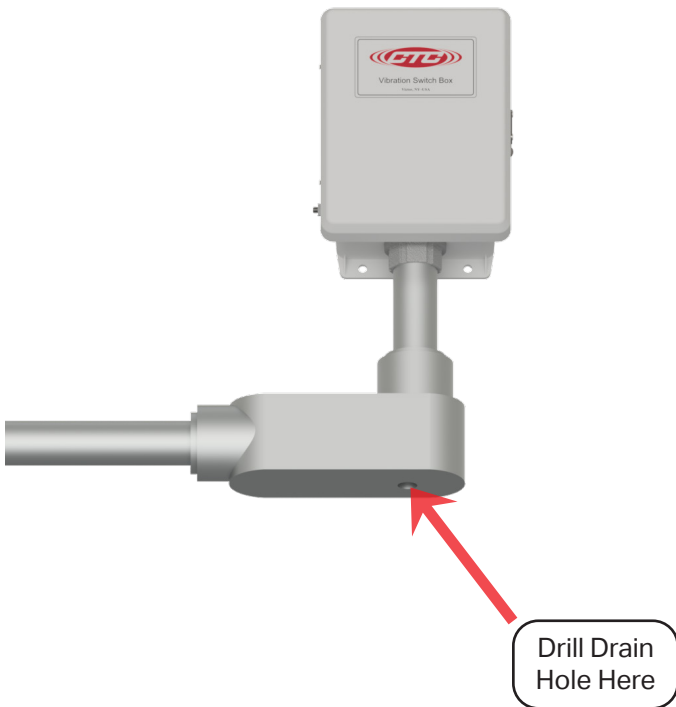
*Figure 3. Vibration Switch Box Rear View*

## CONDUIT ENTRY

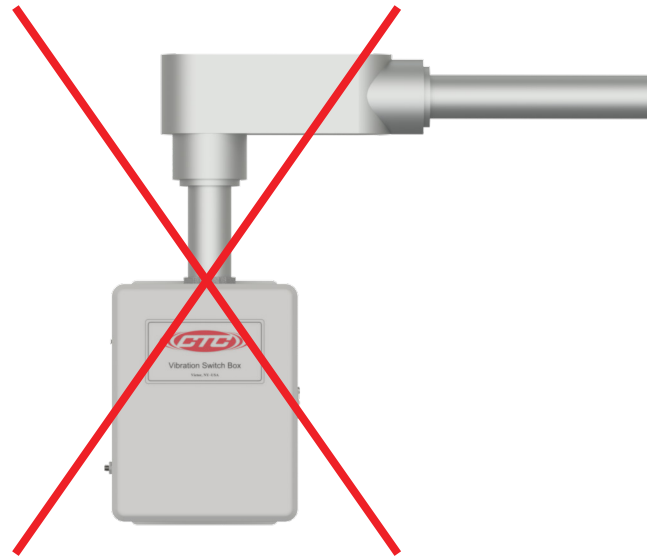
If you are running conduit to your enclosure, ensure the conduit cable entry is located at the bottom of the enclosure when mounted.

**Note:** To ensure moisture will not flow into the enclosure, a hole should be drilled at the lowest point in the conduit to provide drainage for any moisture.

**Correct**



**Incorrect**



**Figure 4. Conduit Entry for Switch Box**

## GROUNDING

Ensure the shield ground wire on the SB152 Series Switch Boxes is grounded to earth ground.

### *A. Mounting to Earth Ground*

When mounting SB152 Series Switch Boxes to earth ground (such as an I-Beam), mount the shield ground wire using a mounting bolt through one of the mounting brackets on the enclosure.



**Figure 5. Proper Shield Grounding Technique**

## B. Mounting to Non-Grounded Structure

When mounting the switch box to a non-grounded structure, ensure the shield ground wire or customer-supplied ground wire is tied to a source of earth ground.



**Figure 6. Ground Wire Placement**

## SENSOR INSTALLATION

### Installation of Sensors/Signal Input Cable

1. Feed blunt-cut end through the cable entry at the bottom of the enclosure.  
**Note:** It is recommended that cables are marked on both ends.

For cord grip cable entry, take off the cord grip cover with bushing and run cable into enclosure, hand-tighten cord grip cover to base to prevent damage of cord grip.





**Figure 7. Front View**



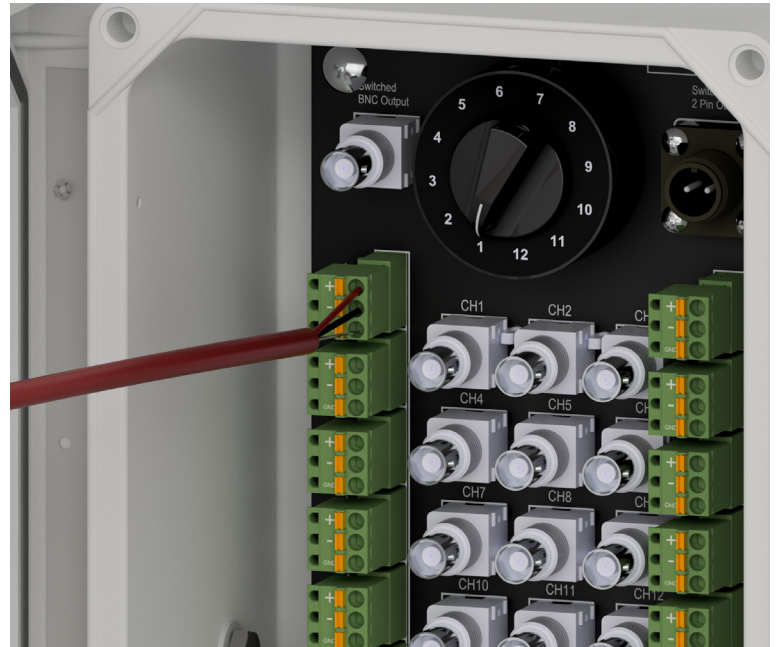
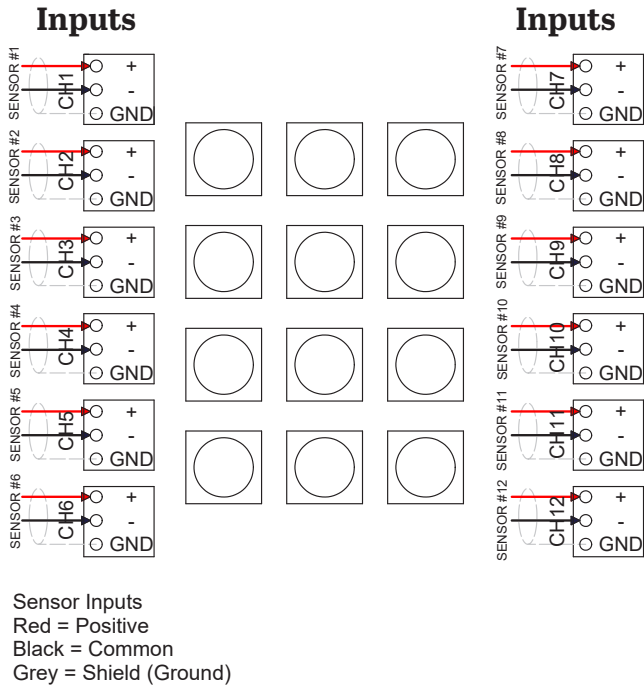
**Figure 8. Bottom View**

1. Strip outer jacket of cable back 1¼ in. and remove all of the shielding.
2. Separate the internal wires from the shield and twist the shield.
3. Strip red and black insulation back ¼ in.



**Figure 9. Stripped Wire**

4. Locate the appropriate plug, identified by channel number, remove the plug and install the wires using a small flathead screwdriver. Push plug back into location. Orientation is as follows:
  - a. Red insulated conductor wire is connected to (+).
  - b. Black insulated conductor wire is connected to (-).
  - c. Shield drain wire is connected to ground (GND).
  - d. Depress selected position button to open terminal for respective wire (may require a mini flathead screwdriver).



**Figure 10. Connecting Cables to Switch Box**

5. Insert plug into the appropriate PC board connector and double check to ensure that the cable is going to the correct channel.
6. Mark the Measurement Location Card located on the inside front cover with a description of each measurement location.

## POST-INSTALLATION TESTING

The TM1018 Accelerometer Verification Meter can be used to verify cable conductivity, sensor location and proper wiring connections. The Verification Meter will indicate if the sensor, cable and/or junction box is in working condition. It will also confirm bias voltage of the accelerometer, which will inform you of the operation of the internal accelerometer amplifier.



**Figure 11. TM1018 Accelerometer Verification Meter**

### Testing Method:

1. Utilizing two personnel, Person A will be located at the switch box, while Person B will be located at the measurement location.
2. Once positioned, Person A will connect the TM1018 to the data collector output to the switch box and turn the Channel Selector to the channel that corresponds to the referenced measurement. Person A should observe a "NORMAL" LED reading.
3. Person B disconnects the cable from the accelerometer, and the TM1018 should respond with an "OPEN" LED. Reconnect the cable to the accelerometer, and the TM1018 should respond with a "NORMAL" LED.
4. Repeat for each measurement location to verify that accelerometer location is properly identified at the switch box.

The following LED Readout indicates the circuit integrity:

1. Green LED: Normal. Indicates proper connection and an output bias will be given, indicating the health of the sensor (4 – 16 V indicates a healthy accelerometer).
2. Yellow LED: Open Circuit. Indicates one of the following:
  - a. Cable connector is not connected to accelerometer.
  - b. Cable is open circuit (broken or not connected at one end).
  - c. Accelerometer is not functioning correctly.
3. Red LED: Short Circuit. Indicates one of the following:
  - a. Water or contamination in the connector.
  - b. Reverse wiring ((+) and (-) leads are reversed).
  - c. Wires in switch box or cable connector (+) & (-) are touching.

## **WARRANTY & REFUND**

Please visit [www.ctconline.com](http://www.ctconline.com) to view a complete recapitulation of our warranty and refund policies.

## **CONTACT INFORMATION**

Connection Technology Center, Inc. (CTC)

7939 Rae Blvd.

Victor, NY 14564

1.585.924.5900

[sales@ctconline.com](mailto:sales@ctconline.com)

[www.ctconline.com](http://www.ctconline.com)

