

TSB-MODX

Triaxial Sensor Switch Module

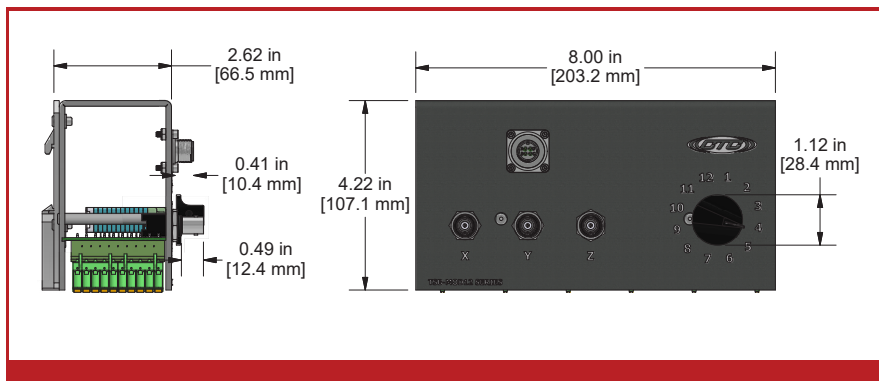
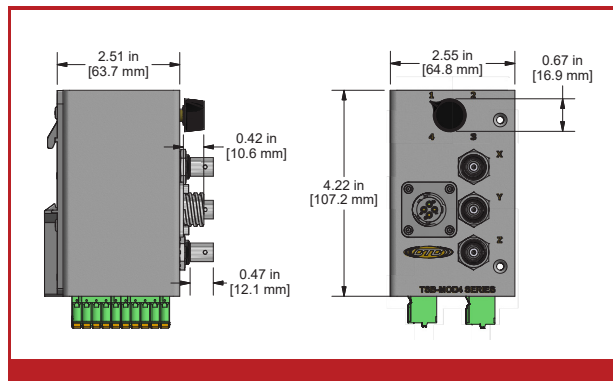


Product Features

Simultaneous measurements for triaxial capable data collectors

Fast, efficient data collection

Modular style enables easy DIN rail mount



Ordering Information

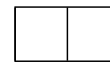
TSB-MOD



-



-



Channels

04 = 4 Triaxial Sensors
12 = 12 Triaxial Sensors

4 Pin Connector Compatibility

D4 = Azima DLI Compatible
G4 = G4X Series Twist Lock
J4 = J4X Series CTC Compatible
M4 = M12 Compatible

Optional Output

Blank = None
CO = Continuous Output Option

Backed by our Unconditional Lifetime Warranty

www.ctconline.com | sales@ctconline.com | 585-924-5900