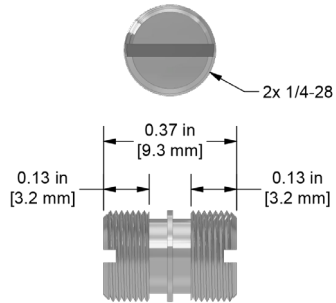


Mounting Studs

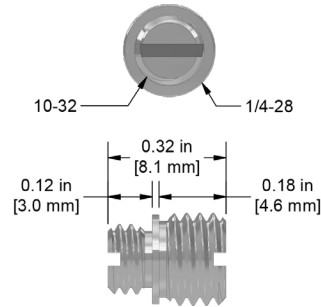


MH108-1B



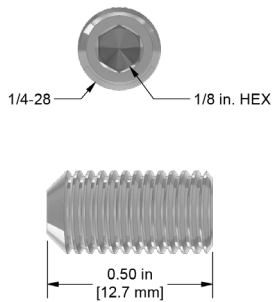
1/4-28 to 1/4-28
Mounting Stud,
303 Stainless Steel,
0.37 in. (9.4 mm) Length

MH108-3B



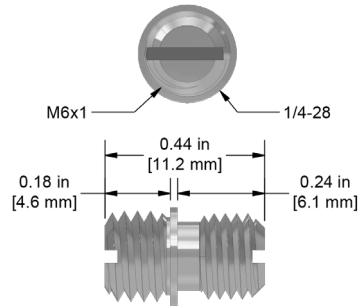
1/4-28 to 10-32
Adapter Stud,
303 Stainless Steel,
0.32 in. (8 mm) Length

MH108-4B



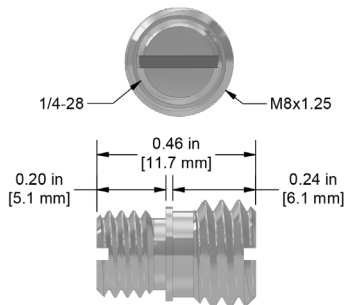
1/4-28 Mounting Screw,
303 Stainless Steel,
0.5 in. (13 mm) Length

MH108-5B



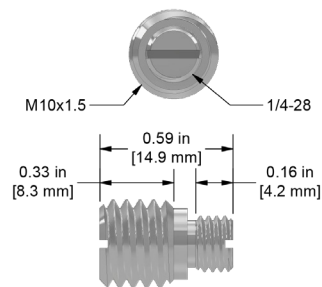
1/4-28 to M6x1
Adapter Stud,
303 Stainless Steel,
0.44 in. (11 mm) Length

MH108-6B



1/4-28 to M8x1.25
Adapter Stud,
303 Stainless Steel,
0.5 in. (13 mm) Length

MH108-7B



1/4-28 to M10x1.50
Adapter Stud,
303 Stainless Steel,
0.63 in. (16 mm) Length