

IN100

Inductive Proximity Sensor
for Shaft Rotational Speed Measurements



VIBRATION ANALYSIS HARDWARE

Product Features

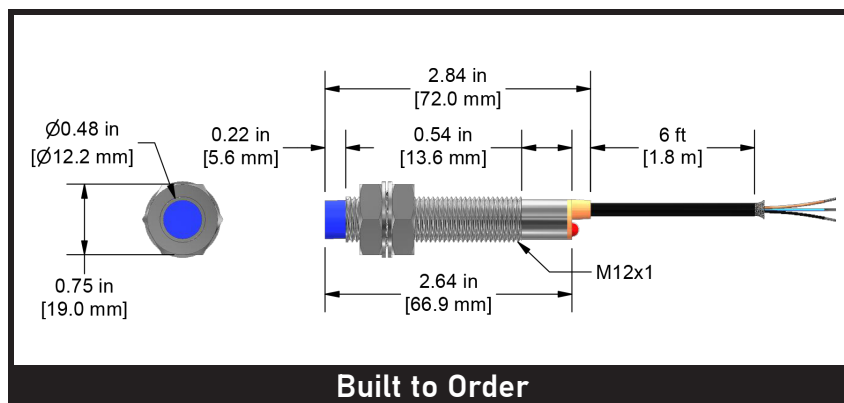
Rugged, industrial 3-wire probe-style inductive sensor.

Can be used up to 0.15 in. [4 mm] from a 0.5 in. [12 mm] metallic target, such as a bolt head or shaft locking key.

Specified for use with an IRON TARGET for maximum sensing distance. See Component Specification chart below for additional details.

Requires shaft keyway, slot, gear tooth, or other intentional metal feature for reliable triggering.

Includes red LED on-target indicator.



Built to Order

Component Specifications

Maximum Speed	24,000 RPM (400 Hz)
Output Signal	Open collector PNP - normally open (NO)
Sensing Distance	Specified for use with iron target: 0.15 in. [4 mm] sensing distance <i>Stainless steel target - sensing distance reduced by 50%</i> <i>Brass, aluminum, or copper target - sensing distance reduced by ~40%</i> Target should be at least equal to sensor diameter
Sense Indicator	LED indicates target present
Operating Temperature	-13 to 167 °F [-25 to 75 °C]
Power Requirement	6 - 36 Vdc at 15 mA
Cable Length - Standard	Including sensor, 6 ft. [1.8 m]
Sealing	IP67
Case Material	Brass
Case Thread	M12
Dimensions	2.36 in. [59.95 mm] L x 0.48 in. [12.92 mm] diameter

Specifications are subject to change without notice