

# ACCESS2000

Long-Range Wireless Gateway & Network Controller  
Preloaded with ConnectView™ Web App



## Product Features

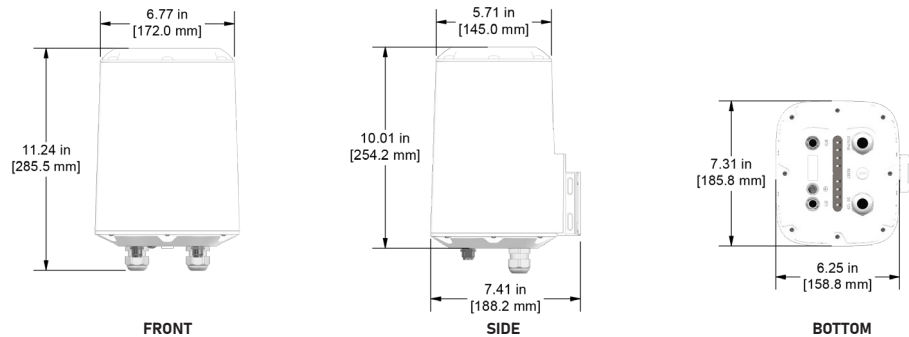
Used for connecting CTC Connect compatible products to the data analysis software of your choice via Wi-Fi or PoE.

Receives data from CTC Connect devices and facilitates bi-directional transfer of data.

Unlimited sensor inputs\* - Mix and match ConnectSens™ WS100, WS200 and WS300 sensors.

Supports WebSocket, MQTT IoT, and Modbus protocols.

Compatible with any existing CTC ecosystem using ACCESS360 ConnectBridge™ Gateways.



## Stock Product

## Component Specifications

<b>Network Connectivity</b>	Wi-Fi (802.11 a/b/g/n/ac) or PoE
<b>Sensor Communication</b>	Bluetooth® Low Energy 5.2 from CTC ConnectSens™ wireless sensors
<b>ISED</b>	22505-X2000
<b>FCC</b>	2ALGLX2000
<b>Storage</b>	64 GB
<b>Case Material</b>	ABS Plastic
<b>Compatible Sensor</b>	Any CTC ConnectSens™ wireless sensor
<b>Power</b>	DC12V/2A or 57Vdc 350 mA (PoE)
<b>Power Consumption</b>	Up to 2.5W for normal usage
<b>Input Count</b>	Unlimited number of CTC ConnectSens™ wireless sensors, 20 concurrent connections
<b>IP Rating</b>	IP66
<b>Temperature Range</b>	Temperature: -40 °C to +65 °C (-40 °F to +149 °F)
<b>Certifications</b>	FCC (US), NRTL (US), IC (Canada), CE (Europe & United Kingdom), SRRR (China), China RoHS, CB, RoHS, REACH, RCM (Australia & New Zealand), TELEC (Japan), BQB, CRC (Colombia), NCC & BSMI (Taiwan), ANATEL (Brazil), ICASA & NRCS (South Africa), SUBTEL (Chile), IMDA (Singapore), SIRIM (Malaysia), NRTA (Egypt), IFT & NYCE (Mexico), PTA (Pakistan), EANCOM (Argentina), NBTC (Thailand), MTC (Peru), MOC & SII (Israel), KC (South Korea), SUTEL (Costa Rica), SIT (Guatemala), INDOTEL (Dominican Republic), SMA (Jamaica), NTC (Philippines), TRA & ECAS & RoHS (UAE)

\* The access point can accept up to 20 concurrent connections. Using more than 20 connectable sensors is allowable, but may lead to increased data acquisition time