



Actual Product Size Shown



Product Features

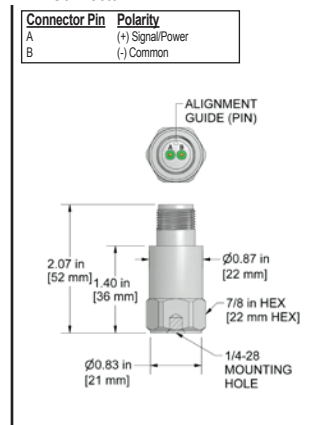
Low Cost Accelerometer - Perfect for Permanent Mounting

Excellent Choice for Budget Conscious Data Collection

- ± 50 g, Peak Dynamic Range
- Standard 2 Pin MIL Connection
- 1-10000 Hz (60-600,000 CPM) Frequency Response

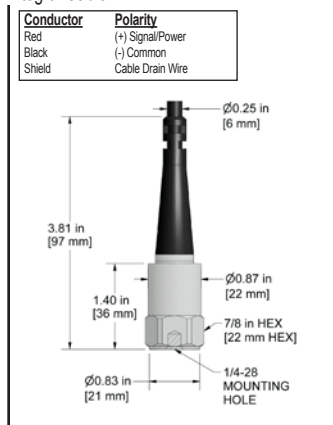
AC150-1A

2 Pin Connector



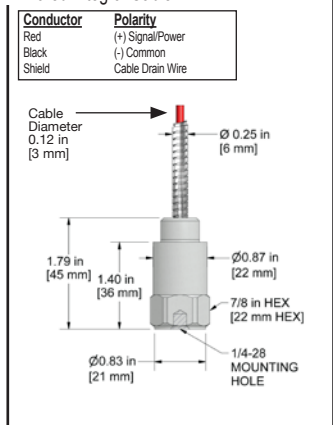
AC150-2C

Integral Cable



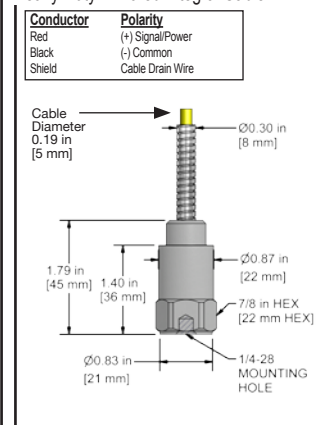
AC150-3C

Armored Integral Cable



AC150-6C

Heavy Duty Armored Integral Cable



Specifications	Standard	Metric
Part Number	AC150	M/AC150
Sensitivity ($\pm 15\%$)		100 mV/g
Frequency Response (± 3 dB)	60-600,000 CPM	1,0-10000 Hz
Dynamic Range		± 50 g, peak
Electrical		
Settling Time		<2.5 seconds
Voltage Source		18-30 VDC
Constant Current Excitation		2-10 mA
Spectral Noise @ 10 Hz		14 μ g/√Hz
Spectral Noise @ 100 Hz		2.3 μ g/√Hz
Spectral Noise @ 1000 Hz		2 μ g/√Hz
Output Impedance		<100 ohm
Bias Output Voltage		10-14 VDC
Case Isolation		>10 ⁸ ohm

Specifications	Standard	Metric
Environmental		
Temperature Range	-58 to 250°F	-50 to 121°C
Maximum Shock Protection		5,000 g, peak
Electromagnetic Sensitivity		CE
Sealing		Welded, Hermetic
Submersible Depth (AC150-2C/3C)	200 ft.	60 m
Physical		
Sensing Element		PZT Ceramic
Sensing Structure		Shear Mode
Weight	3.2 oz	90 grams
Case Material		316L Stainless Steel
Mounting		1/4-28
Connector (non-integral)		2 Pin MIL-C-5015
Resonant Frequency	1,380,000 CPM	23000 Hz
Mounting Torque	2 to 5 ft. lbs.	2,7 to 6,8 Nm
Mounting Hardware	1/4-28 Stud	M6x1 Adapter Stud
Calibration Certificate		CA10

Ordering Information

Standard	AC150-1A	AC150-2C	AC150-3C	AC150-6C
	(1/4-28 Stud)	(1/4-28 Stud)	(1/4-28 Stud)	(1/4-28 Stud)
		- / [] - []	- / [] / [] - []	- / [] / [] - []
		(length in feet) (termination)	(maximum armor length 100 ft.) (cable length in feet) (termination)	(maximum armor length 20 ft.) (cable length in feet) (termination)
Metric	M/AC150-1A	M/AC150-2C	M/AC150-3C	M/AC150-6C
	(M6x1 Adapter Stud)	(M6x1 Adapter Stud)	(M6x1 Adapter Stud)	(M6x1 Adapter Stud)
		- / [] - []	- / [] / [] - []	- / [] / [] - []
		(length in feet) (termination)	(maximum armor length 100 ft.) (cable length in feet) (termination)	(maximum armor length 20 ft.) (cable length in feet) (termination)
		[] M - []	[] M / [] M - []	[] M / [] M - []
		(length in meters) (termination)	(maximum armor length 30 m) (cable length in meters) (termination)	(maximum armor length 6 m) (cable length in meters) (termination)

Cable Termination Options: E F Z

