

AC184 Series

Multi-Purpose Accelerometer, M8 Captive Bolt, Side Exit Connector/Cable, 100 mV/g

SECTION 1 - VIBRATION SENSORS
Accelerometers



Actual Product Size Shown



M8 Captive Bolt

Product Features

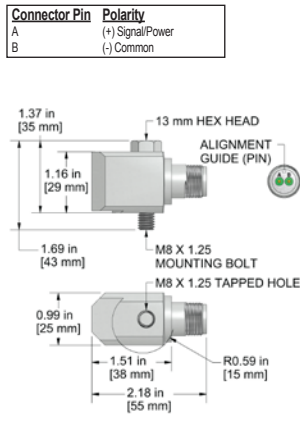
CTC's Most Popular Side Exit Sensor, Now With M8 Mounting!

High Performance in a Low Cost Sensor

- Standard 2 Pin MIL Connection
- Perfect for M8 Applications
- Affordably Priced

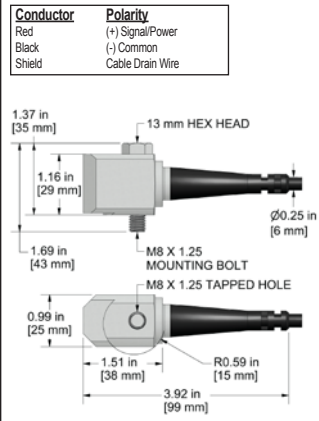
AC184-1A

2 Pin Connector



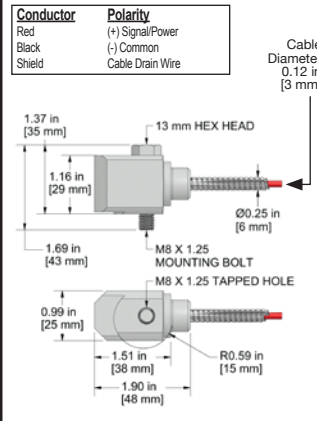
AC184-2C

Integral Cable



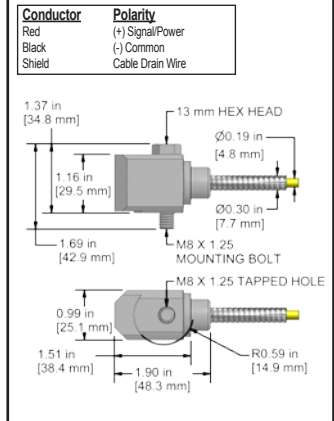
AC184-3C

Armored Integral Cable



AC184-6C

Heavy Duty Armored Integral Cable



Specifications	Standard	Metric
Part Number	AC184	
Sensitivity (±10%)	100 mV/g	
Frequency Response (±3dB)	30-600,000 CPM	0,5-10000 Hz
Frequency Response (±10%)	120-300,000 CPM	2,0-5000 Hz
Dynamic Range	± 50 g, peak	
Electrical		
Settling Time	<2.5 seconds	
Voltage Source	18-30 VDC	
Constant Current Excitation	2-10 mA	
Spectral Noise @ 10 Hz	14 µg/√Hz	
Spectral Noise @ 100 Hz	2.3 µg/√Hz	
Spectral Noise @ 1000 Hz	2 µg/√Hz	
Output Impedance	<100 ohm	
Bias Output Voltage	10-14 VDC	
Case Isolation	>10 ⁹ ohm	

Specifications	Standard	Metric
Environmental		
Temperature Range	-58 to 250°F	-50 to 121°C
Maximum Shock Protection	5,000 g, peak	
Electromagnetic Sensitivity	CE	
Sealing	Welded, Hermetic	
Submersible Depth (AC184-2C/3C)	200 ft.	60 m
Physical		
Sensing Element	PZT Ceramic	
Sensing Structure	Shear Mode	
Weight	6 oz	170 grams
Case Material	316L Stainless Steel	
Mounting	M8	
Connector (non-integral)	2 Pin MIL-C-5015	
Resonant Frequency	1,200,000 CPM	20000 Hz
Mounting Torque	2 to 5 ft. lbs.	2,7 to 6,8 Nm
Mounting Hardware	M8 Captive Bolt	
Calibration Certificate	CA10	

Ordering Information

Metric	AC184-1A (M8 Captive Bolt)	AC184-2C (M8 Captive Bolt)	AC184-3C (M8 Captive Bolt)	AC184-6C (M8 Captive Bolt)
	- / [] - []	- / [] - []	- / [] / [] - []	- / [] / [] - []
	(length in feet) (termination)	(length in feet) (termination)	(maximum armor length 100 ft.) (cable length in feet) (termination)	(maximum armor length 20 ft.) (cable length in feet) (termination)
	[] M - []	[] M - []	[] M / [] M - []	[] M / [] M - []
	(length in meters) (termination)	(length in meters) (termination)	(maximum armor length 30 m) (cable length in meters) (termination)	(maximum armor length 6 m) (cable length in meters) (termination)

Cable Termination Options: E



F



Z



Backed by our Unconditional Lifetime Warranty

www.ctconline.com

