

M8 Captive Bolt Product Features

**High Performance in an Affordable,
Side Exit Compact Sensor**

Very Low Noise

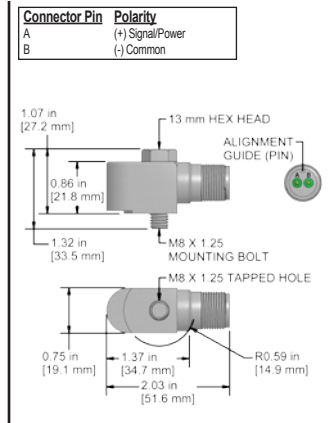
- Superior RF Immunity
- ±80 g, Peak Dynamic Range, ± 10% Sensitivity
- Standard 2 Pin MIL Connection

Actual Product Size Shown



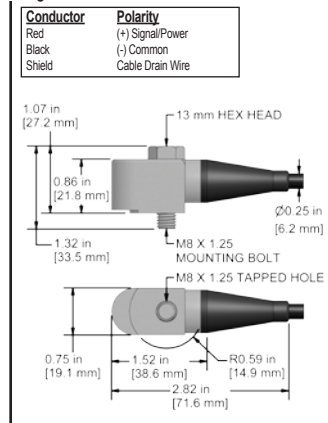
AC198-1D

2 Pin Connector



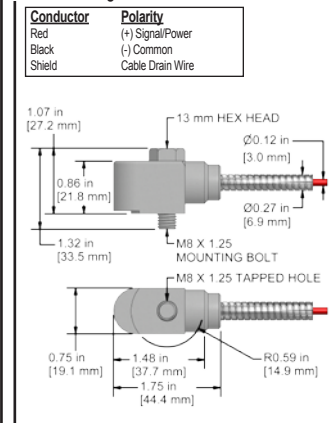
AC198-2D

Integral Cable



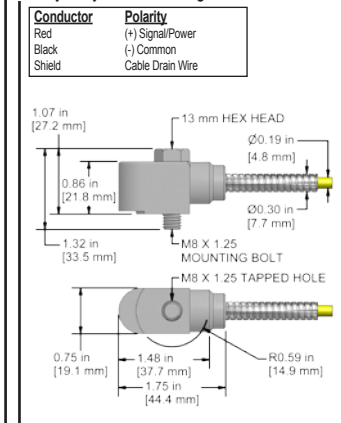
AC198-3D

Armored Integral Cable



AC198-6D

Heavy Duty Armored Integral Cable



Specifications	Standard	Metric
Part Number	AC198	
Sensitivity (±10%)	100 mV/g	
Frequency Response (±3dB)	30-480,000 CPM	0,5-8000 Hz
Dynamic Range	± 80 g, peak	
Electrical		
Settling Time	<2 Seconds	
Voltage Source (IEPE)	18-30 VDC	
Constant Current Excitation	2-10 mA	
Spectral Noise @ 10 Hz	8 µg/√Hz	
Spectral Noise @ 100 Hz	4 µg/√Hz	
Spectral Noise @ 1000 Hz	2 µg/√Hz	
Output Impedance	<100 ohm	
Bias Output Voltage	10-14 VDC	
Case Isolation	>10 ⁸ ohm	

Specifications	Standard	Metric
Environmental		
Temperature Range	-58 to 250°F	-50 to 121°C
Maximum Shock Protection	5,000 g, peak	
Electromagnetic Sensitivity	CE	
Sealing	IP68	
Submersible Depth (AC198-2D/3D)	200 ft.	60 m
Physical		
Sensing Element	PZT Ceramic	
Sensing Structure	Shear Mode	
Weight	3.3 oz	93 grams
Case Material	316L Stainless Steel	
Mounting	M8	
Connector (non-integral)	2 Pin MIL-C-5015	
Resonant Frequency	1,200,000 CPM	23000 Hz
Mounting Torque	2 to 5 ft. lbs.	2,7 to 6,8 Nm
Mounting Hardware	M8 Captive Bolt	
Calibration Certificate	CA10	

Ordering Information

Metric	AC198-1D (M8x1 Captive Bolt)	AC198-2D - / (M8x1 Captive Bolt)	AC198-3D - / (M8x1 Captive Bolt)	AC198-6D - / (M8x1 Captive Bolt)
	Stock Product	Build To Order	Build To Order	Build To Order
		(length in feet) (termination)	(maximum armor length 100 ft) (cable length in feet) (termination)	(maximum armor length 20 ft) (cable length in feet) (termination)
		(length in meters) (termination)	(maximum armor length 30 m) (cable length in meters) (termination)	(maximum armor length 6 m) (cable length in meters) (termination)

