



Actual Product Size Shown



### Product Features

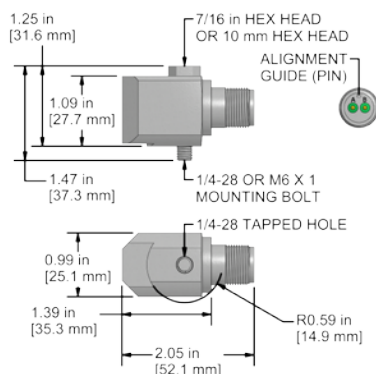
**High Temperature (302°F)  
Side Exit Sensor**

**Popular, Proven Side Exit Sensor for Standard High Temperature Applications**

- Resistant to Temperatures Up to 302°F (150°C)
- 6C version has armor, Heavy Duty Teflon® Jacketed Cable with Braided Shield for Demanding Applications
- ±80 g, Peak Dynamic Range

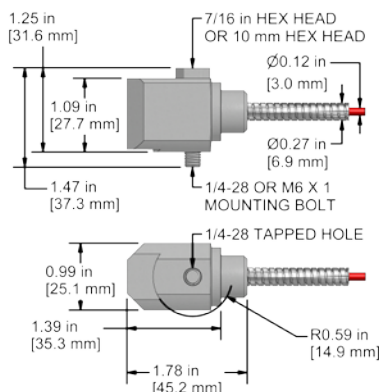
#### AC208-1A 2 Pin Connector

Connector	Pin Polarity
A	(+) Signal / Power
B	(-) Common



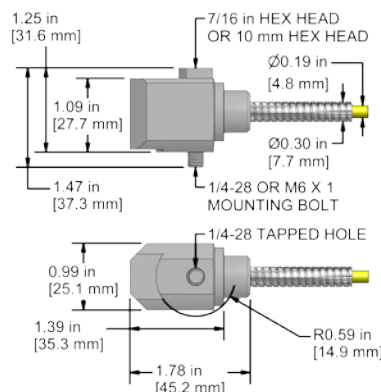
#### AC208-5C Armored Integral Cable

Conductor	Polarity
Red	(+) Signal / Power
Black	(-) Common
Shield	Cable Drain Wire



#### AC208-6C Heavy Duty Armored Integral Cable

Conductor	Polarity
Red	(+) Signal / Power
Black	(-) Common
Shield	Cable Drain Wire



Specifications	Standard	Metric
Part Number	AC208	M/AC208
Sensitivity (±10%)	100 mV/g	
Frequency Response (±3dB)	60-480,000 CPM	1,0-8000 Hz
Frequency Response (±10%)	120-180,000 CPM	2,0-3000 Hz
Dynamic Range	± 80 g, peak	
<b>Electrical</b>		
Settling Time	<2.5 seconds	
Voltage Source (IEPE)	18-30 VDC	
Constant Current Excitation	2-10 mA	
Spectral Noise @ 10 Hz	8 µg/√Hz	
Spectral Noise @ 100 Hz	0.82 µg/√Hz	
Spectral Noise @ 1000 Hz	0.3 µg/√Hz	
Output Impedance	<100 ohm	
Bias Output Voltage	10-14 VDC	
Case Isolation	>10 <sup>8</sup> ohm	

Specifications	Standard	Metric
<b>Environmental</b>		
Temperature Range	-58 to 302°F	-50 to 150°C
Maximum Shock Protection	5,000 g, peak	
Electromagnetic Sensitivity	CE	
Sealing	IP68	
<b>Physical</b>		
Sensing Element	PZT Ceramic	
Sensing Structure	Shear Mode	
Weight	5.1 oz	145 grams
Case Material	316L Stainless Steel	
Mounting Hole	1/4-28	
Connector (non-integral)	2 Pin MIL-C-5015	
Resonant Frequency	1,200,000 CPM	20000 Hz
Mounting Torque	2 to 5 ft. lbs.	2,7 to 6,8 Nm
Mounting Hardware	1/4-28 Captive Bolt	M6x1 Captive Bolt
Calibration Certificate	CA10	

### Ordering Information

Standard	AC208-1A (1/4-28 Captive Bolt)	AC208-5C - / (1/4-28 Captive Bolt)	AC208-6C - / (1/4-28 Captive Bolt)

Cable Termination Options: E F L Z



**Backed by our Unconditional Lifetime Warranty**