

AC212 Series

Low & High Frequency Accelerometer, Top Exit Connector, 250 mV/g

SECTION 1 - VIBRATION SENSORS
Accelerometers



Actual Product Size Shown



Product Features

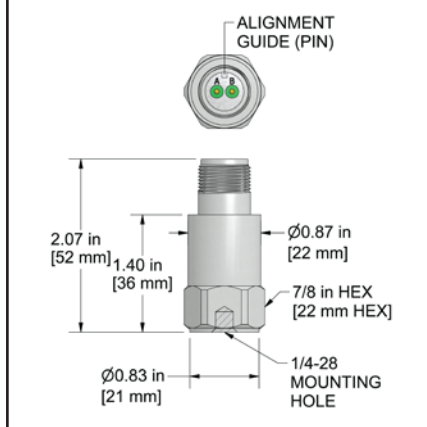
Designed for low speed Rotors, Wind Turbine Main Bearings, and Gear Box Inputs, but can also be used for High Frequency Detection.

Can be used with any application that requires low and high frequency measurements.

- 250 mV/g Sensitivity, $\pm 10\%$ Sensitivity
- 0.2 Hz for Low Frequency Measurements
- 10,000 Hz for High Frequency Detection

AC212-1D 2 Pin Connector

Connector Pin	Polarity
A	(+) Signal/Power
B	(-) Common



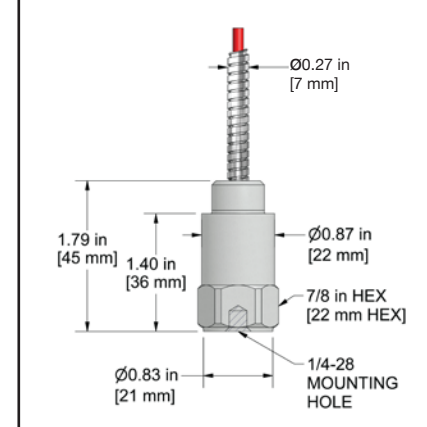
AC212-2D Integral Cable

Conductor	Polarity
Red	(+) Signal/Power
Black	(-) Common
Shield	Cable Drain Wire



AC212-3D Armored Integral Cable

Conductor	Polarity
Red	(+) Signal/Power
Black	(-) Common
Shield	Cable Drain Wire



Specifications	Standard	Metric
Part Number	AC212	M/AC212
Sensitivity ($\pm 10\%$)	250 mV/g	
Frequency Response ($\pm 3dB$)	12-600,000 CPM	0,2-10000 Hz
Frequency Response ($\pm 10\%$)	18-420,000 CPM	0,3-7000 Hz
Dynamic Range	± 30 g, peak	
Electrical		
Settling Time	<2 Seconds	
Voltage Source (IEPE)	18-30 VDC	
Constant Current Excitation	2-10 mA	
Spectral Noise @ 10 Hz	2.0 $\mu g/\sqrt{Hz}$	
Spectral Noise @ 100 Hz	0.52 $\mu g/\sqrt{Hz}$	
Spectral Noise @ 1000 Hz	0.12 $\mu g/\sqrt{Hz}$	
Output Impedance	<100 ohm	
Bias Output Voltage	10-14 VDC	
Case Isolation	>10 ⁹ ohm	

Specifications	Standard	Metric
Environmental		
Temperature Range	-58 to 250°F	-50 to 121°C
Maximum Shock Protection	5,000 g, peak	
Electromagnetic Sensitivity	CE	
Sealing	Welded, Hermetic	
Physical		
Sensing Element	PZT Ceramic	
Sensing Structure	Shear Mode	
Weight	3.25 oz	92 grams
Case Material	316L Stainless Steel	
Mounting	1/4-28	
Connector (non-integral)	2 Pin MIL-C-5015	
Resonant Frequency	1,080,000 CPM	18000 Hz
Mounting Torque	2 to 5 ft. lbs.	2,7 to 6,8 Nm
Mounting Hardware	1/4-28 Stud	M6x1 Adapter Stud
Calibration Certificate	CA10	

Ordering Information

Standard	AC212-1D (1/4-28 Stud)	AC212-2D / (1/4-28 Stud)	AC212-3D / (1/4-28 Stud)
	(length in feet) (termination)	(length in feet) (termination)	(maximum armor length 100 ft.) (cable length in feet) (termination)
Metric	M/AC212-1D (M6x1 Adapter Stud)	M/AC212-2D / (M6x1 Adapter Stud)	M/AC212-3D / (M6x1 Adapter Stud)
	(length in meters) (termination)	(length in meters) (termination)	(maximum armor length 30 m) (cable length in meters) (termination)

Backed by our Unconditional Lifetime Warranty

www.ctconline.com

