

Product Features

Designed for low speed Rotors, Wind Turbine Main Bearings, and Gear Box Inputs, but can also be used for High Frequency Detection.

Can be used with any application that requires low and high frequency measurements.

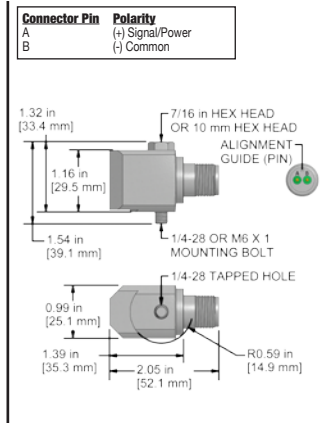
Actual Product Size Shown



- 250 mV/g Sensitivity, $\pm 10\%$ Sensitivity
- 0.2 Hz for Low Frequency Measurements
- 8,000 Hz for High Frequency Detection

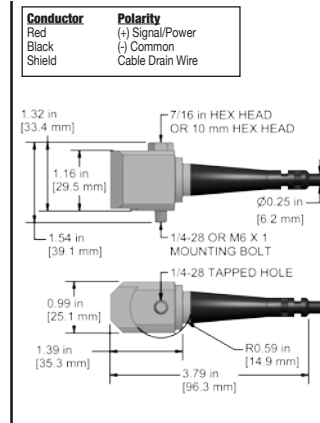
AC213-1D

2 Pin Connector



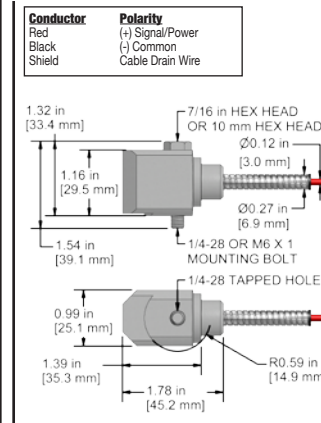
AC213-2D

Integral Cable



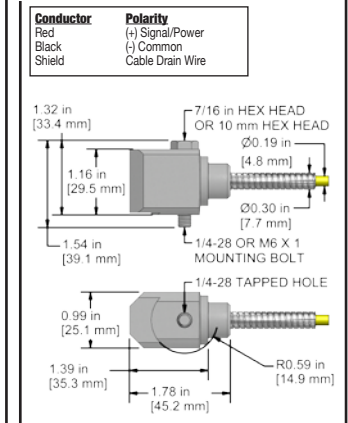
AC213-3D

Armored Integral Cable



AC213-6D

Heavy Duty Armored Integral Cable



Specifications	Standard	Metric
Part Number	AC213	M/AC213
Sensitivity ($\pm 10\%$)	250 mV/g	
Frequency Response ($\pm 3dB$)	12-480,000 CPM	0,2-8000 Hz
Frequency Response ($\pm 10\%$)	36-180,000 CPM	0,6-3000 Hz
Dynamic Range	± 30 g, peak	
Electrical		
Settling Time	<2 Seconds	
Voltage Source (IEPE)	18-30 VDC	
Constant Current Excitation	2-10 mA	
Spectral Noise @ 10 Hz	2.0 $\mu\text{g}/\sqrt{\text{Hz}}$	
Spectral Noise @ 100 Hz	0.52 $\mu\text{g}/\sqrt{\text{Hz}}$	
Spectral Noise @ 1000 Hz	0.12 $\mu\text{g}/\sqrt{\text{Hz}}$	
Output Impedance	<100 ohm	
Bias Output Voltage	10-14 VDC	
Case Isolation	> 10^8 ohm	

Specifications	Standard	Metric
Environmental		
Temperature Range	-58 to 250°F	-50 to 121°C
Maximum Shock Protection	5,000 g, peak	
Electromagnetic Sensitivity	CE	
Sealing	Welded, Hermetic	
Physical		
Sensing Element	PZT Ceramic	
Sensing Structure	Shear Mode	
Weight	5.7 oz	162 grams
Case Material	316L Stainless Steel	
Mounting	1/4-28	
Connector (non-integral)	2 Pin MIL-C-5015	
Resonant Frequency	1,080,000 CPM	18000 Hz
Mounting Torque	2 to 5 ft. lbs.	2,7 to 6,8 Nm
Mounting Hardware	1/4-28 Captive Bolt	M6x1 Captive Bolt
Calibration Certificate	CA10	

Ordering Information

Standard	AC213-1D (1/4-28 Captive Bolt)	AC213-2D / (1/4-28 Captive Bolt)	AC213-3D / (1/4-28 Captive Bolt)	AC213-6D / (1/4-28 Captive Bolt)
	<input type="text"/> <input type="text"/> <input type="text"/> <input type="text"/> <input type="text"/> <input type="text"/>	<input type="text"/> <input type="text"/> <input type="text"/> <input type="text"/> <input type="text"/> <input type="text"/>	<input type="text"/> <input type="text"/> <input type="text"/> <input type="text"/> <input type="text"/> <input type="text"/>	<input type="text"/> <input type="text"/> <input type="text"/> <input type="text"/> <input type="text"/> <input type="text"/>
	<input type="text"/> (length in feet)	<input type="text"/> (length in feet)	<input type="text"/> (maximum armor length 100 ft.)	<input type="text"/> (maximum armor length 20 ft.)
	<input type="text"/> (termination)	<input type="text"/> (termination)	<input type="text"/> (cable length in feet)	<input type="text"/> (cable length in feet)
	<input type="text"/> (termination)	<input type="text"/> (termination)	<input type="text"/> (termination)	<input type="text"/> (termination)
	<input type="text"/> <input type="text"/> <input type="text"/> <input type="text"/> <input type="text"/> <input type="text"/>	<input type="text"/> <input type="text"/> <input type="text"/> <input type="text"/> <input type="text"/> <input type="text"/>	<input type="text"/> <input type="text"/> <input type="text"/> <input type="text"/> <input type="text"/> <input type="text"/>	<input type="text"/> <input type="text"/> <input type="text"/> <input type="text"/> <input type="text"/> <input type="text"/>
	<input type="text"/> (length in meters)	<input type="text"/> (length in meters)	<input type="text"/> (maximum armor length 30 m)	<input type="text"/> (maximum armor length 6 m)
	<input type="text"/> (termination)	<input type="text"/> (termination)	<input type="text"/> (cable length in meters)	<input type="text"/> (cable length in meters)
	<input type="text"/> (termination)	<input type="text"/> (termination)	<input type="text"/> (termination)	<input type="text"/> (termination)

Cable Terminations: E, EX F, FX L Z

