

AC244 Series

Premium Series, mini-MIL Accelerometer, High Frequency,
Side Exit Connector/Cable, 100 mV/g

SECTION 1 - VIBRATION SENSORS
Accelerometers

Actual Product Size Shown

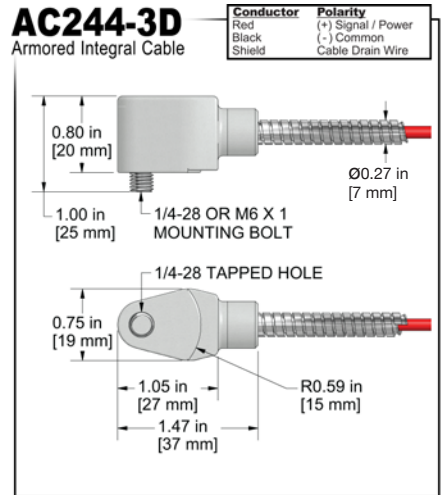
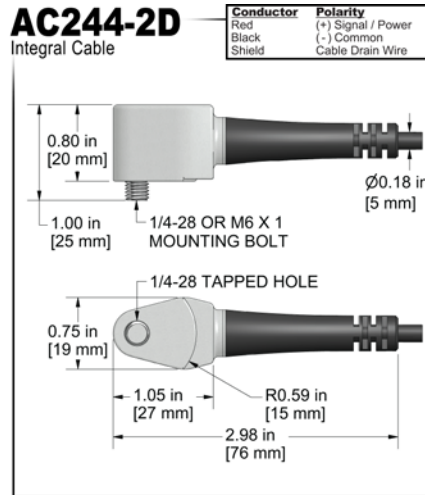
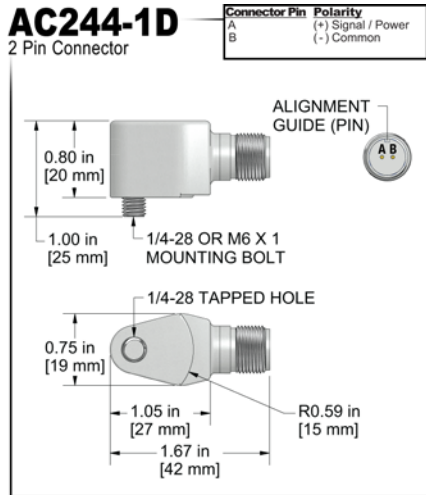


mini-MIL Must Use J2X Series Connectors Product Features

Excellent Small Size, Low Profile Industrial Accelerometer

Premium Accelerometer, Great for Hard to Reach Areas

- 2 Pin mini-MIL Connection
- Less Than 1 Inch (25 mm) High
- ±5% Sensitivity



Specifications	Standard	Metric
Part Number	AC244	M/AC244
Sensitivity (±5%)	100 mV/g	
Frequency Response (±3dB)	36-900,000 CPM	0,6-15000 Hz
Frequency Response (±10%)	60-600,000 CPM	1,0-10000 Hz
Frequency Response (±5%)	120-420,000 CPM	2,0-7000 Hz
Dynamic Range	± 50 g, peak	
Electrical		
Settling Time	<2.5 seconds	
Voltage Source (IEPE)	18-30 VDC	
Constant Current Excitation	2-10 mA	
Spectral Noise @ 10 Hz	30 µg/√Hz	
Spectral Noise @ 100 Hz	4 µg/√Hz	
Spectral Noise @ 1000 Hz	2 µg/√Hz	
Output Impedance	<100 ohm	
Bias Output Voltage	10-14 VDC	
Case Isolation	>10 ⁸ ohm	

Specifications	Standard	Metric
Environmental		
Temperature Range	-58 to 250°F	-50 to 121°C
Maximum Shock Protection	5,000 g, peak	
Electromagnetic Sensitivity	CE	
Sealing	IP68	
Submersible Depth (AC244-2D/3D)	200 ft.	60 m
Physical		
Sensing Element	PZT Ceramic	
Sensing Structure	Shear Mode	
Weight	2.1 oz	60 grams
Case Material	316L Stainless Steel	
Mounting	1/4-28	
Connector (non-integral)	2 Pin mini-MIL	
Resonant Frequency	1,920,000 CPM	33000 Hz
Mounting Torque	2 to 5 ft. lbs.	2,7 to 6,8 Nm
Mounting Hardware	1/4-28 Captive Bolt	M6x1 Captive Bolt
Calibration Certificate	CA10	

Ordering Information

Standard	AC244-1D	AC244-2D - /	AC244-3D - /
	(1/4-28 Captive Bolt) Stock Product	(1/4-28 Captive Bolt) Build To Order	(1/4-28 Captive Bolt) Build To Order
		(length in feet) (termination)	(maximum armor length 100 ft.) (cable length in feet) (termination)
Metric	M/AC244-1D	M/AC244-2D - /	M/AC244-3D - /
	(M6x1 Captive Bolt) Stock Product	(M6x1 Captive Bolt) Build To Order	(M6x1 Captive Bolt) Build To Order
		(length in feet) (termination)	(maximum armor length 100 ft.) (cable length in feet) (termination)
		(length in meters) (termination)	(maximum armor length 30 m) (cable length in meters) (termination)

Cable Termination Options: E F L Z

Backed by our Unconditional Lifetime Warranty

www.ctconline.com

