

AC936 Series

Low Capacitance, Class I, Division 2/Zone 2 Accelerometer, For Use In "Non-Arcing, Non-Sparking" Environments, Side Exit Connector/Cable, 100 mV/g

SECTION I - VIBRATION SENSORS
Low Capacitance Accelerometers



Actual Product Size Shown



Must Use "Class I, Division 2" CB190 or CB206 Cable and D2Q Connector

REGULATORY INFORMATION

Ex nA IIC T3/T4
AEx nA IIC T3/T4
CLI Groups A, B, C, D
CLII Groups F, G
CLIII

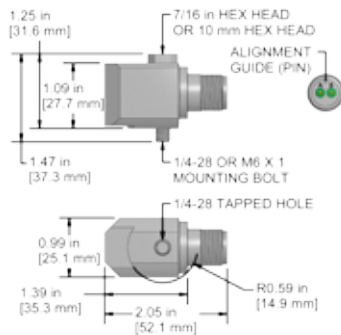
Operating Temperature Code: T3 or T4
Ambient Temperature Range =
-40°C to +125°C (T3) or -40°C to +80°C (T4)
Ui = 28 Vdc Ii = 100 mA
CSA 221421

KEMA 04ATEX1066
Ex nA II T3 or T4

AC936-1A

2 Pin Connector

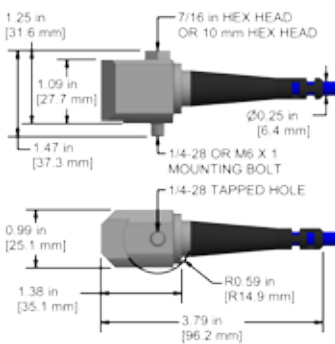
Connector Pin	Polarity
A	(+) Signal/Power
B	(-) Common



AC936-2C

Integral Cable

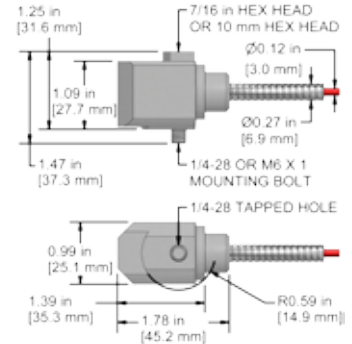
Conductor	Polarity
Red	(+) Signal/Power
Black	(-) Common
Shield	Cable Drain Wire



AC936-3C

Armored Integral Cable

Conductor	Polarity
Red	(+) Signal/Power
Black	(-) Common
Shield	Cable Drain Wire



Specifications	Standard	Metric
Part Number	AC936	M/AC936
Vibration		
Sensitivity (±10%)		100 mV/g
Frequency Response (±3dB)	30-516,000 CPM	0.5-8600 Hz
Frequency Response (±10%)	60-360,000 CPM	1.0-6000 Hz
Dynamic Range		± 80 g, peak
Electrical		
Settling Time		<3 Seconds
Voltage Source (IEPE)		18-28 VDC
Constant Current Excitation		2-10 mA
Spectral Noise @ 10 Hz		30 µg/√Hz
Spectral Noise @ 100 Hz		19 µg/√Hz
Spectral Noise @ 1000 Hz		15 µg/√Hz
Output Impedance		<100 ohm
Bias Output Voltage		10-14 VDC
Case Isolation		>10 ⁹ ohm

Specifications	Standard	Metric
Environmental		
Temperature Range	-40 to 250°F	-40 to 121°C
Maximum Shock Protection		5,000 g, peak
Electromagnetic Sensitivity		CE
Sealing		Welded, Hermetic
Physical		
Sensing Element		PZT Ceramic
Sensing Structure		Shear Mode
Weight	5.3 oz	151 grams
Case Material		316L Stainless Steel
Mounting		1/4-28
Connector (AC936-1A)		2 Pin MIL-C-5015
Integral Cable (AC936-2C)		Blue TPE Cable
Armored Cable (AC936-3C)		Armor Jacketed Cable
Resonant Frequency	1,260,000 CPM	21000 Hz
Mounting Torque	2 to 5 ft. lbs.	2.7 to 6.8 Nm
Mounting Hardware	1/4-28 Captive Bolt	M6x1 Captive Bolt
Calibration Certificate		CA10

Ordering Information

Standard	AC936-1A	AC936-2C /	AC936-3C /
	(1/4-28 Captive Bolt)	(1/4-28 Captive Bolt)	(1/4-28 Captive Bolt)
		(length in feet) (termination)	(maximum armor length 100 ft.) (cable length in feet) (termination)
Metric	M/AC936-1A	M/AC936-2C /	M/AC936-3C /
	(M6x1 Captive Bolt)	(M6x1 Captive Bolt)	(M6x1 Captive Bolt)
		(length in meters) (termination)	(maximum armor length 30 m) (cable length in meters) (termination)

Cable Terminations: L Z

Read Before Purchasing
Important information on Regulatory Approvals and Requirements on Page 87

Backed by our Unconditional Lifetime Warranty

www.ctconline.com

