

TA131 Series

Dual Output High g Accelerometer, Temperature/Acceleration
Top Exit Connector/Cable, 10 mV/g, 10 mV/°C

SECTION 1 - VIBRATION SENSORS
Dual Output Accelerometers

Actual Product Size Shown



Product Features

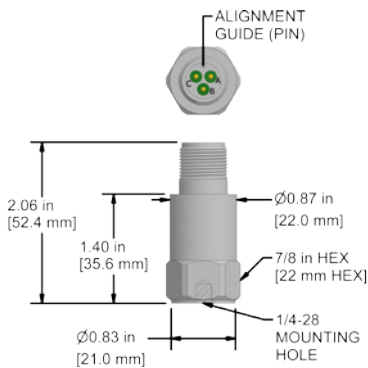
**Temperature Output 10 mV/°C,
Acceleration Output 10 mV/g**

- ±500 g, Peak Dynamic Range
- Temperature and Acceleration in One Sensor
- Compatible with All Major Vibration Data Collection Systems Except Commtest vbOnline™ and GE SCOUT Series Online Systems

TA131-1D

3 Pin Connector

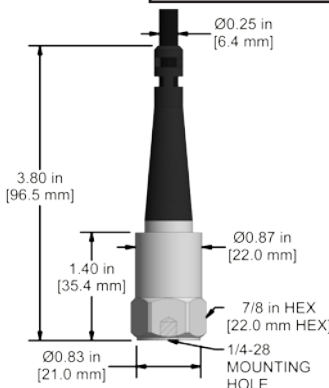
Connector Pin	Polarity
A	(+) Signal / Power
B	(+) Common
C	(+) Temperature Voltage



TA131-2D

Integral Cable

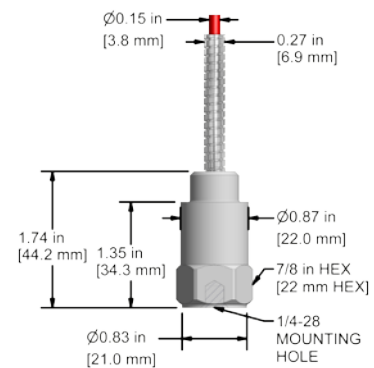
Conductor	Polarity
Red	(+) Signal / Power
Black	(+) Common
White	(+) Temperature Voltage
Shield	Cable Drain Wire



TA131-3D

Armored Integral Cable

Conductor	Polarity
Red	(+) Signal / Power
Black	(+) Common
White	(+) Temperature Voltage
Shield	Cable Drain Wire



Specifications	Standard	Metric
Part Number	TA131	M/TA131
Vibration		
Sensitivity (±10%)	10 mV/g	
Frequency Response (±3dB)	60-900,000 CPM	1,0-15000 Hz
Frequency Response (±10%)	120-360,000 CPM	2,0-6000 Hz
Dynamic Range	± 500 g, peak	
Temperature Measurement Range	37° to 250° F	3° to 121° C
Temperature Output	10 mV/°C	
Electrical		
Settling Time	<2 seconds	
Voltage Source (IEPE)	18-30 VDC	
Constant Current Excitation	2-10 mA	
Spectral Noise @ 10 Hz	300 µg/√Hz	
Spectral Noise @ 100 Hz	30 µg/√Hz	
Spectral Noise @ 1000 Hz	6 µg/√Hz	
Output Impedance	<100 ohm	
Bias Output Voltage	10-14 VDC	
Case Isolation	>10 ⁸ ohm	

Specifications	Standard	Metric
Environmental		
Temperature Range	-40 to 250°F	-40 to 121°C
Maximum Shock Protection	5,000 g, peak	
Electromagnetic Sensitivity	CE	
Sealing	Welded, Hermetic	
Physical		
Sensing Element	PZT Ceramic	
Sensing Structure	Shear Mode	
Weight	3.2 oz	90 grams
Case Material	316L Stainless Steel	
Mounting	1/4-28	
Connector (non-integral)	3 Pin MIL-C-5015	
Resonant Frequency	1,380,000 CPM	23000 Hz
Mounting Torque	2 to 5 ft. lbs.	2,7 to 6,8 Nm
Mounting Hardware	1/4-28 Stud	M6x1 Adapter Stud
Calibration Certificate	CA10	

Ordering Information

Standard	TA131-1D (1/4-28 Stud)	TA131-2D / (1/4-28 Stud)	TA131-3D / (1/4-28 Stud)
	Stock Product	Build To Order	Build To Order
		(length in feet) (termination)	(maximum armor length 100 ft.) (cable length in feet) (termination)
Metric	M/TA131-1D (M6x1 Adapter Stud)	M/TA131-2D / (M6x1 Adapter Stud)	M/TA131-3D / (M6x1 Adapter Stud)
	Stock Product	Build To Order	Build To Order
		(length in meters) (termination)	(maximum armor length 30 m) (cable length in meters) (termination)

Cable Terminations: L Z

Backed by our Unconditional Lifetime Warranty

www.ctconline.com

