

TA135 Series

Dual Output, Temperature/Acceleration, Top Exit Connector/Cable,
500 mV/g, 10 mV/°C

SECTION 1 - VIBRATION SENSORS
Dual Output Accelerometers

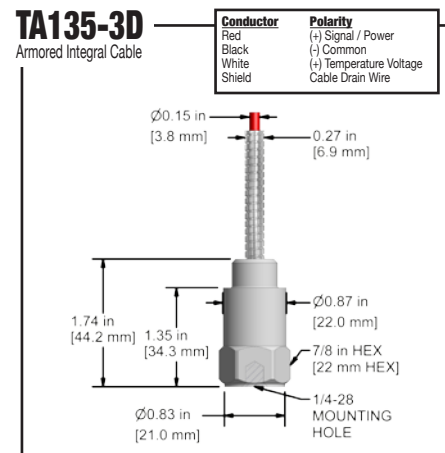
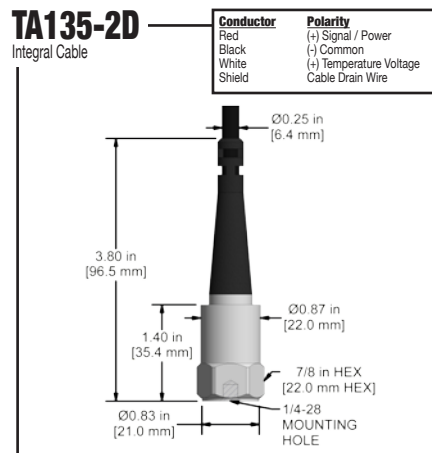
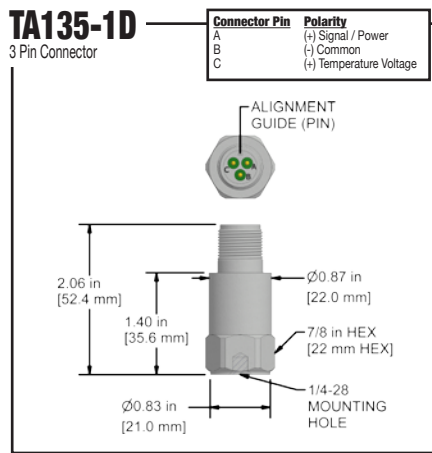
Actual Product Size Shown



Product Features

**Temperature Output 10 mV/°C,
Acceleration Output 500 mV/g**

- ± 10 g, Peak Dynamic Range
- 0,2 - 3000 Hz (12 - 180,000 CPM) Frequency Response
- Compatible with All Major Vibration Data Collection Systems Except Commtest vbOnline™ and GE SCOUT Series Online Systems



Specifications	Standard	Metric
Part Number	TA135	M/TA135
Vibration		
Sensitivity ($\pm 10\%$)	500 mV/g	
Frequency Response (± 3 dB)	12-180,000 CPM	0,2-3000 Hz
Frequency Response ($\pm 10\%$)	36-90,000 CPM	0,6-1500 Hz
Dynamic Range	± 10 g, peak	
Temperature Measurement Range	37° to 250° F	3° to 121° C
Temperature Output	10 mV/°C	
Electrical		
Settling Time	5 Seconds	
Voltage Source (IEPE)	18-30 VDC	
Constant Current Excitation	2-10 mA	
Spectral Noise @ 10 Hz	1.7 μ g/√Hz	
Spectral Noise @ 100 Hz	0.2 μ g/√Hz	
Spectral Noise @ 1000 Hz	0.12 μ g/√Hz	
Output Impedance	<100 ohm	
Bias Output Voltage	10-14 VDC	
Case Isolation	>10 ⁸ ohm	

Specifications	Standard	Metric
Environmental		
Temperature Range	-40 to 250°F	-40 to 121°C
Electromagnetic Sensitivity	CE	
Sealing	Welded, Hermetic	
Physical		
Sensing Element	PZT Ceramic	
Sensing Structure	Shear Mode	
Weight	3.5 oz	100 grams
Case Material	316L Stainless Steel	
Mounting	1/4-28	
Connector (non-integral)	3 Pin MIL-C-5015	
Resonant Frequency	960,000 CPM	16000 Hz
Mounting Torque	2 to 5 ft. lbs.	2,7 to 6,8 Nm
Mounting Hardware	1/4-28 Stud	M6x1 Adapter Stud
Calibration Certificate	CA10	

Ordering Information

Standard	TA135-1D (1/4-28 Stud)	TA135-2D / (1/4-28 Stud)	TA135-3D / (1/4-28 Stud)
	(length in feet) (termination)	(length in feet) (termination)	(maximum armor length 100 ft.) (cable length in feet) (termination)
Metric	M/TA135-1D (M6x1 Adapter Stud)	M/TA135-2D / (M6x1 Adapter Stud)	M/TA135-3D / (M6x1 Adapter Stud)
	(length in meters) (termination)	(length in meters) (termination)	(maximum armor length 30 m) (cable length in meters) (termination)

Cable Terminations: L Z



VIBRATION ANALYSIS HARDWARE

Backed by our Unconditional Lifetime Warranty