

TA174 Series

Dual Output, Temperature/Acceleration, Side Exit Connector/Cable, 100 mV/g, 10 mV/K

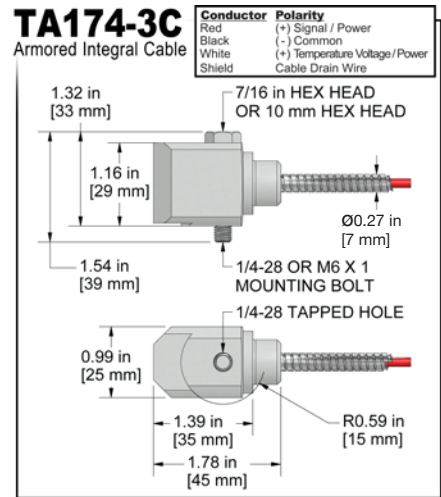
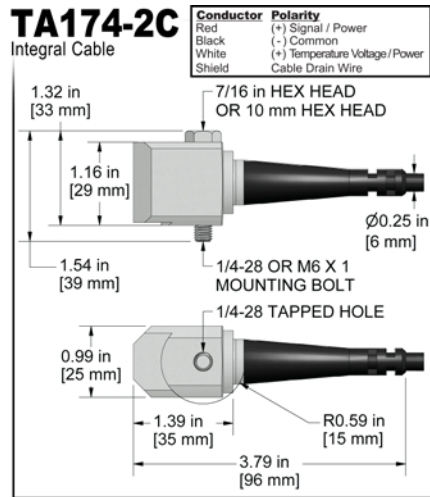
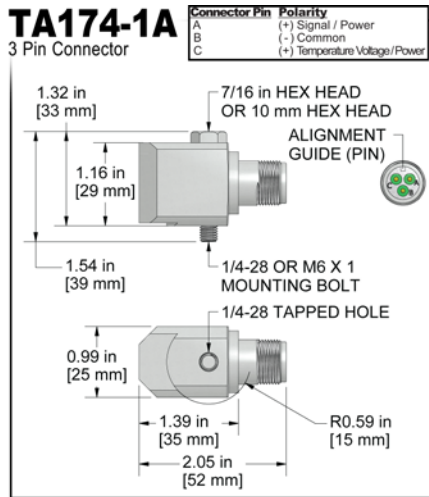
Actual Product Size Shown



10 mV/K Product Features

Temperature Measurement Range of -40° to 212°F (-40° to 100°C)

- Standard 3 Pin MIL Connection
- Requires Multi-Conductor Cable and Dual IEPE Power
- Compatible with Comtest vbOnline™ Series and Bently Nevada™ SCOUT Series Data Collectors



Specifications	Standard	Metric
Part Number	TA174	M/TA174
Sensitivity (±10%)	100 mV/g	
Frequency Response (±3dB)	30-600,000 CPM	0,5-10000 Hz
Frequency Response (±10%)	120-300,000 CPM	2,0-5000 Hz
Dynamic Range	± 50 g, peak	
Temperature Measurement Range	-40° to 212° F	-40° to 100° C
Temperature Output	10 mV/K	
Electrical		
Settling Time	<2.5 seconds	
Voltage Source (IEPE)	18-30 VDC	
Constant Current Excitation	2-10 mA	
Spectral Noise @ 10 Hz	14 µg/√Hz	
Spectral Noise @ 100 Hz	2.3 µg/√Hz	
Spectral Noise @ 1000 Hz	2 µg/√Hz	
Output Impedance	<100 ohm	
Bias Output Voltage	10-14 VDC	
Case Isolation	>10 ⁸ ohm	

Specifications	Standard	Metric
Environmental		
Temperature Range	-40 to 250°F	-40 to 121°C
Maximum Shock Protection	5,000 g, peak	
Electromagnetic Sensitivity	n/a	
Sealing	IP68	
Submersible Depth (TA174-2C/3C)	200 ft.	60 m
Physical		
Sensing Element	PZT Ceramic	
Sensing Structure	Shear Mode	
Weight	5.6 oz	160 grams
Case Material	316L Stainless Steel	
Mounting	1/4-28	
Connector (non-integral)	3 Pin MIL-C-5015	
Resonant Frequency	1,320,000 CPM	22000 Hz
Mounting Torque	2 to 5 ft. lbs.	2,7 to 6,8 Nm
Mounting Hardware	1/4-28 Captive Bolt	M6x1 Captive Bolt
Calibration Certificate	CA10	

Ordering Information

Standard	TA174-1A	TA174-2C - /	TA174-3C - /
	(1/4-28 Captive Bolt) Stock Product	(1/4-28 Captive Bolt) Build To Order	(1/4-28 Captive Bolt) Build To Order
		(length in feet) (termination)	(maximum armor length 100 ft.) (cable length in feet) (termination)
Metric	M/TA174-1A	M/TA174-2C - /	M/TA174-3C - /
	(M6x1 Captive Bolt) Stock Product	(M6x1 Captive Bolt) Build To Order	(M6x1 Captive Bolt) Build To Order
		(length in meters) (termination)	(maximum armor length 30 m) (cable length in meters) (termination)

Cable Termination Options: L Z

Backed by our Unconditional Lifetime Warranty

