
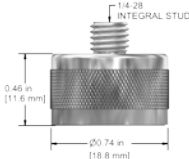


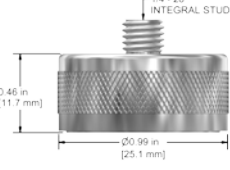


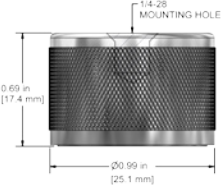


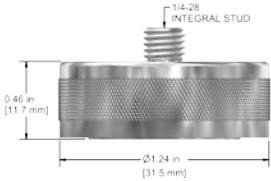


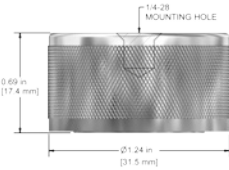


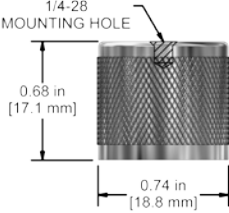



Rare Earth Magnetic Bases for Flat Surfaces

Product Purpose

Rare Earth Magnetic Bases Made From Neodymium Material

Provide accurate, consistent measurement points. (Best when used with MH133-1A Magnet Mount Targets). Choose magnets for flat surfaces (below) or curved surfaces (next page).

Part No.	Image	Drawing	Pull Strength	Mounting	Case Material	Magnet Material	Max. Temp.
MH136-1A			25 lbs. (11 kg)	1/4-28 Integral Stud	Stainless Steel	Neodymium	80°C
						Flat Surface Magnetic Base for Small Sensors	
MH103-1B			40 lbs. (18 kg)	1/4-28 Integral Stud	Stainless Steel	Neodymium	80°C
						Flat Surface Magnetic Base	
MH122-1A			40 lbs. (18 kg)	1/4-28 Mounting Hole	Stainless Steel	Neodymium	80°C
						Flat Surface Magnetic Base	
MH104-1B			60 lbs. (27 kg)	1/4-28 Integral Stud	Stainless Steel	Neodymium	80°C
						Flat Surface Magnetic Base	
MH123-1A			60 lbs. (27 kg)	1/4-28 Mounting Hole	Stainless Steel	Neodymium	80°C
						Flat Surface Magnetic Base	
MH149-1A			25 lbs. (11 kg)	1/4-28 Mounting Hole	Stainless Steel	Neodymium	80°C
						Flat Surface Magnetic Base	

SECTION 4 - MOUNTING HARDWARE
Rare Earth Magnetic Bases for Flat Surfaces

Backed by our Unconditional Lifetime Warranty

www.ctconline.com

