

LP812-5XC Series

Low Capacitance, Intrinsically Safe Loop Power Sensor, Velocity, 4-20 mA, Top Exit Flying Leads

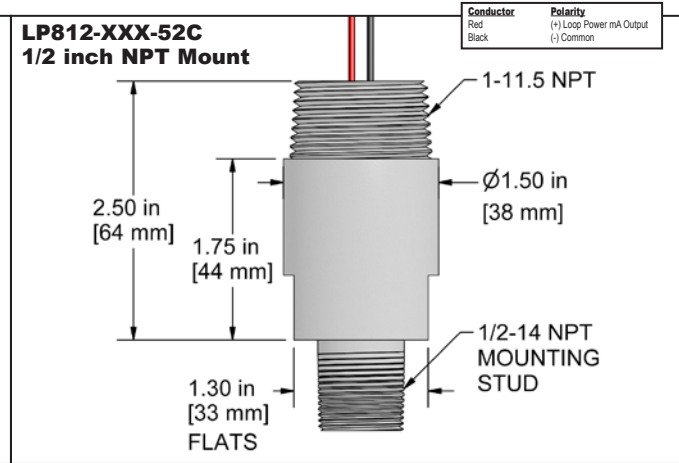
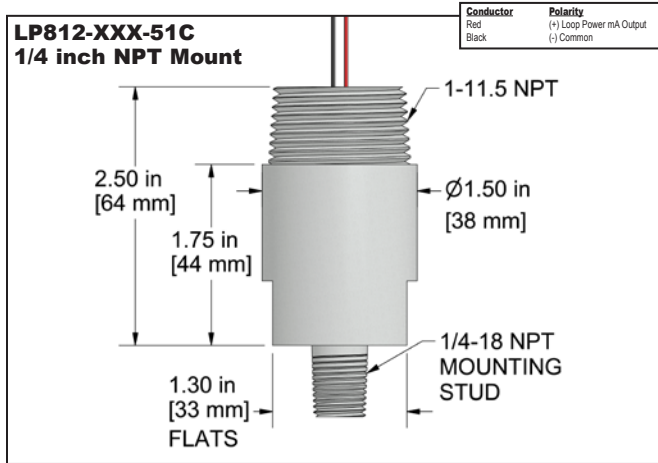


Product Features

Continuous Monitoring in Hazardous Locations

Velocity 4-20 mA Output for Applications in Hazardous Locations
CSA and ATEX Approvals

- With 1 inch NPT conduit fitting
- Intrinsic safe applications with use of barrier
- Integral 1/4 - 18 NPT Mounting Stud



Specifications	Standard	Metric
Output, 4-20 mA	See Selection Guide	
Measurement Range		
Tolerances		
4 mA	± 5%	
20 mA	± 10%	
Electrical		
Settling Time (Turn on Time) @ Room Temp (68°F/20°C)	<60 Seconds	
Power Requirement (Loop Powered) Voltage Source	12-28 VDC	
Electrical Case Isolation	>10 ⁸ ohm	
Environmental		
Temperature Range	-40 to 176°F	-40 to 80°C
Electromagnetic Sensitivity	CE	
Sealing	IP68	

Specifications	Standard	Metric
Physical		
Sensing Element	PZT Ceramic	
Sensing Structure	Shear Mode	
Weight	12 oz	340 grams
Case Material	316L Stainless Steel	
Mounting	1/4 NPT (LP812-51C) 1/2 NPT (LP812-52C)	
Connector	Flying Leads	
Mechanical		
Mounting Torque	2 to 5 ft. lbs.	2,7 to 6,8 Nm
Supplied Accessories		
Calibration Certificate	Current Output @ 100 Hz	

Ordering Information

LP812 1 - C

Measurement Range	Range Type	Frequency Range +/- 3dB	Style
0 = 0-0.5 IPS (0-12,7 mm/sec)	R = RMS	1 = 600-60,000 CPM (10-1000 Hz)	51C = 1 inch NPT with 24 inch flying leads with 1/4 inch NPT Mount 52C = 1 inch NPT with 24 inch flying leads and 1/2 inch NPT Mount
1 = 0-1 IPS (0-25,4 mm/sec)	P = Peak		
2 = 0-2 IPS (0-50,8 mm/sec)			
3 = 0-10 mm/sec (0-0,4 IPS)			
4 = 0-20 mm/sec (0-0,8 IPS)			



Read Before Purchasing
Important information on Regulatory Approvals and Requirements on Page 356 & 357



Lifetime Warranty on Materials & Workmanship