

LP822 Series

Class I, Division 2/Zone 2 Loop Power Sensor, For Use In "Non-Arcing, Non-Sparking" Environments, Top Exit Connector/Cable, Velocity, 4-20 mA Output



Must Use "Class I, Division 2" CB190 Cable and D2Q Connector or CB922 Series Cable Adapter

Product Features

Continuous Monitoring in Hazardous Locations

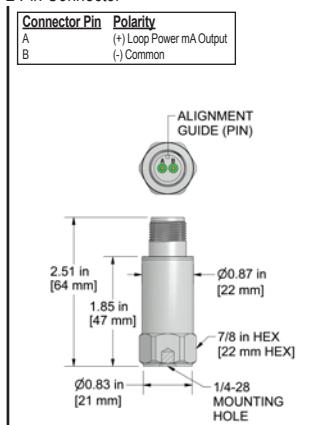
Velocity 4-20 Output for Applications in Hazardous Locations

- Requires CB190 with D2Q or CB922 Series Connector (for non-integral cable versions)
- Non-Arcing, Non-Sparking Sensor for Class I, Division 2
- Enables Vibration Alarms for Process Control

Actual Product Size Shown

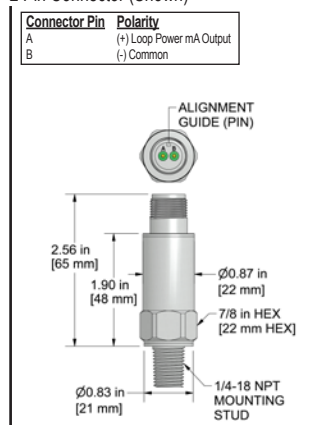
LP822-1B

2 Pin Connector



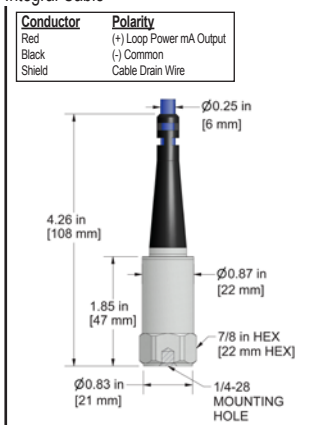
P25/LP822-1B

2 Pin Connector (Shown)



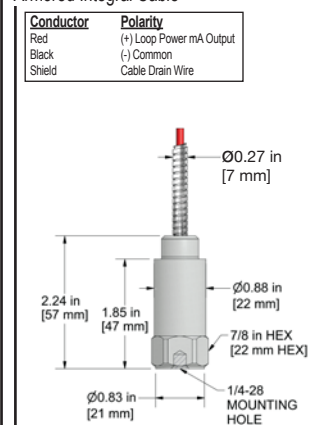
LP822-2C

Integral Cable



LP822-3C

Armored Integral Cable



Specifications	Standard	Metric
Output, 4-20 mA	See Selection Guide	
Measurement Range		
Tolerances		
4 mA	± 5%	
20 mA	± 10%	
Electrical		
Settling Time (Turn on Time) @ Room Temp (68°F/20°C)	<60 Seconds	
Power Requirement (Loop Powered) Voltage Source	12-28 VDC	
Electrical Case Isolation	>10 ⁹ ohm	
Environmental		
Temperature Range	-40 to 176°F	-40 to 80°C
Electromagnetic Sensitivity	CE	
Sealing	IP68	

Specifications	Standard	Metric
Physical		
Sensing Element	PZT Ceramic	
Sensing Structure	Shear Mode	
Weight (without cable)	3.7 oz	105 grams
Case Material	316L Stainless Steel	
Mounting Hole	1/4-28	1/4 NPT (P25/LP822-1B)
Connector (LP822-1B)	2 Pin MIL-C-5015	
Integral Cable (LP822-2C)	Blue TPE Cable	
Armored Cable (LP822-3C)	Armor Jacketed Cable	
Mechanical		
Mounting Torque	2 to 5 ft. lbs.	2,7 to 6,8 Nm
Supplied Accessories		
Mounting Hardware	1/4-28 Stud	M6x1 Adapter Stud
Calibration Certificate	Current Output @ 100 Hz	

Ordering Information



Stud Type	Measurement Range	Range Type	Frequency Range +/- 3dB	Style	Armor Length (Integral)	Cable Length (Integral)
M = M6x1	0 = 0-0.5 IPS (0-12.7 mm/sec)	R = RMS	1 = 600-60,000 CPM (10-1000 Hz)	1B = 2 Pin MIL (C-5015) Note: 1B Option Does Not Include Cable	010 = 10 ft. (3 m)	010 = 10 ft. (3 m)
P25 = 1/4 inch NPT	1 = 0-1 IPS (0-25.4 mm/sec)	P = Peak	2 = 180-150,000 CPM (3-2500 Hz)	2C = Integral Cable	020 = 20 ft. (6 m)	020 = 20 ft. (6 m)
Blank = 1/4-28	2 = 0-2 IPS (0-50.8 mm/sec)			3C = Armored Integral Cable	030 = 30 ft. (9 m)	030 = 30 ft. (9 m)
	3 = 0-10 mm/sec (0-0.4 IPS)				050 = 50 ft. (15 m)	050 = 50 ft. (15 m)
	4 = 0-20 mm/sec (0-0.8 IPS)				100 = 100 ft. (30 m)	100 = 100 ft. (30 m)
					(Custom lengths available upon request)	(Custom lengths available upon request)

Read Before Purchasing: Important information on Regulatory Approvals and Requirements on Page 331

Lifetime Warranty on Materials & Workmanship

www.ctconline.com



SECTION 6 - PRO LINE Hazardous Area Sensors & Accessories