

LP862-5XC Series

Low Capacitance, IEC Certified (IECEx), Loop Power Sensor, Velocity, 4-20 mA, Top Exit Flying Leads



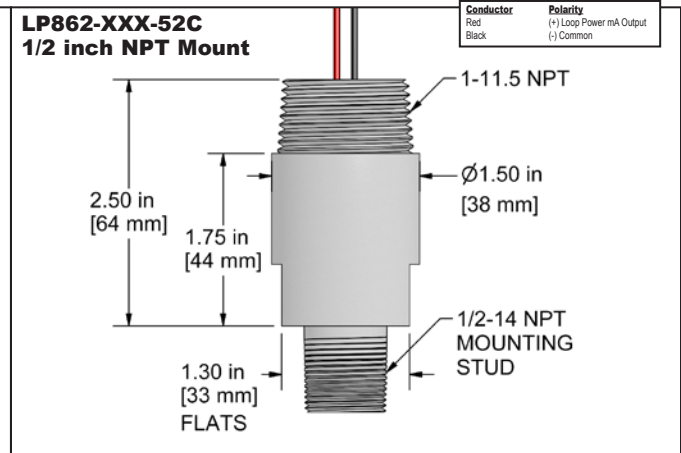
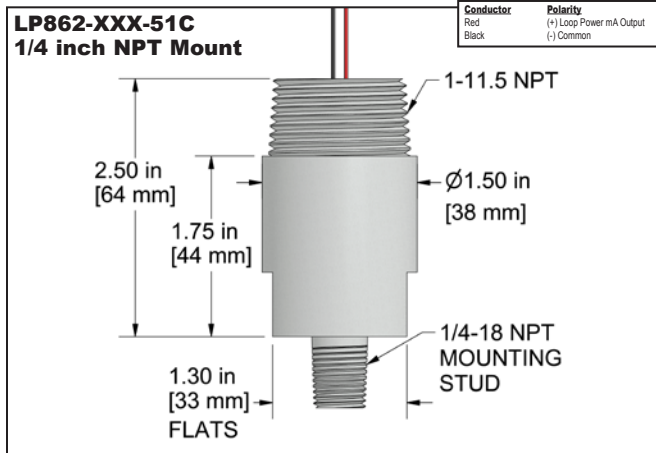
IECEx

Product Features

Continuous Monitoring in Hazardous Locations

Velocity 4-20 mA Output for Applications in Hazardous Locations

- With 1 inch NPT conduit fitting
- Requires Energy Limiting Barriers
- IECEx Certification



| Specifications | Standard | Metric |
|---|----------------------|-------------|
| Output, 4-20 mA | See Selection Guide | |
| Measurement Range | | |
| Tolerances | | |
| 4 mA | ± 5% | |
| 20 mA | ± 10% | |
| Electrical | | |
| Settling Time (Turn on Time) @ Room Temp (68°F/20°C) | <60 Seconds | |
| Power Requirement (Loop Powered) Voltage Source | 12-28 VDC | |
| Electrical Case Isolation | >10 ⁸ ohm | |
| Environmental | | |
| Temperature Range | -40 to 176°F | -40 to 80°C |
| Electromagnetic Sensitivity | CE | |
| Sealing | IP68 | |

| Specifications | Standard | Metric |
|-----------------------------|-------------------------|---------------------|
| Physical | | |
| Sensing Element | PZT Ceramic | |
| Sensing Structure | Shear Mode | |
| Weight | 12 oz | 340 grams |
| Case Material | 316L Stainless Steel | |
| Mounting | 1/4 NPT (LP862-51C) | 1/2 NPT (LP862-52C) |
| Connector | Flying Leads | |
| Mechanical | | |
| Mounting Torque | 2 to 5 ft. lbs. | 2,7 to 6,8 Nm |
| Supplied Accessories | | |
| Calibration Certificate | Current Output @ 100 Hz | |

Ordering Information

LP862 1 - C

| Measurement Range | Range Type | Frequency Range +/- 3dB | Style |
|-------------------------------|------------|---------------------------------|---|
| 0 = 0-0.5 IPS (0-12.7 mm/sec) | R = RMS | 1 = 600-60,000 CPM (10-1000 Hz) | 51C = 1 inch NPT with 24 inch flying leads with 1/4 inch NPT Mount 52C = 1 inch NPT with 24 inch flying leads and 1/2 inch NPT Mount |
| 1 = 0-1 IPS (0-25.4 mm/sec) | P = Peak | | |
| 2 = 0-2 IPS (0-50.8 mm/sec) | | | |
| 3 = 0-10 mm/sec (0-0.4 IPS) | | | |
| 4 = 0-20 mm/sec (0-0.8 IPS) | | | |



Read Before Purchasing

Important information on Regulatory Approvals and Requirements on Page 362

Lifetime Warranty on Materials & Workmanship

www.ctconline.com



PROTECTION & RELIABILITY
OPTIMIZATION INSTRUMENTS
CONNECT TO CONFIDENCE