

LP902-5XC Series

Intrinsically Safe Loop Power Sensor, Acceleration, 4-20 mA, Top Exit Flying Leads



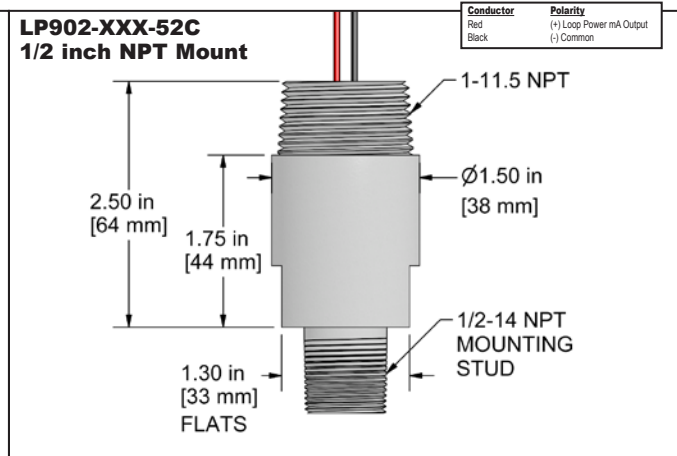
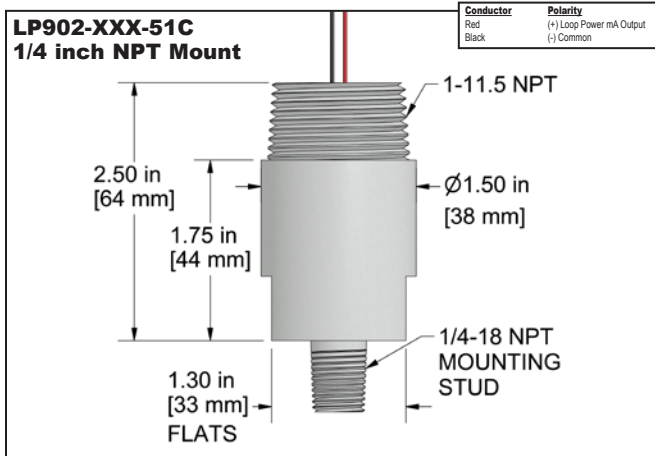
Product Features

Continuous Monitoring in Hazardous Locations

Acceleration 4-20 mA Output for Applications in Hazardous Locations

CSA and ATEX Approvals

- With 1 inch NPT fitting
- Intrinsic safe applications with use of barrier
- Enables Vibration Alarms for Process Control



Specifications	Standard	Metric
Output, 4-20 mA	See Selection Guide	
Measurement Range		
Tolerances		
4 mA	± 5%	
20 mA	± 10%	
Electrical		
Settling Time (Turn on Time) @ Room Temp (68°F/20°C)	<60 Seconds	
Power Requirement (Loop Powered) Voltage Source	12-28 VDC	
Electrical Case Isolation	>10 ⁸ ohm	
Environmental		
Temperature Range	-40 to 176°F	-40 to 80°C
Electromagnetic Sensitivity	CE	
Sealing	IP68	

Specifications	Standard	Metric
Physical		
Sensing Element	PZT Ceramic	
Sensing Structure	Shear Mode	
Weight	12 oz	340 grams
Case Material	316L Stainless Steel	
Mounting	1/4 NPT (LP902-51C) 1/2 NPT (LP902-52C)	
Connector	Flying Leads	
Mechanical		
Mounting Torque	2 to 5 ft. lbs.	2,7 to 6,8 Nm
Supplied Accessories		
Calibration Certificate	Current Output @ 100 Hz	

Ordering Information

LP902 **1** -

Measurement Range	Range Type	Frequency Range +/- 3dB	Style
1 = 0-1g	R = RMS	1 = 600-60,000 CPM (10-1000 Hz)	51C = 1 inch NPT with 24 inch flying leads with 1/4 inch NPT Mount
2 = 0-2g	P = Peak		
5 = 0-5g			
10 = 0-10g			
20 = 0-20g			
			52C = 1 inch NPT with 24 inch flying leads and 1/2 inch NPT Mount



Read Before Purchasing

Important information on Regulatory Approvals and Requirements on Page 337 & 338

Lifetime Warranty on Materials & Workmanship

www.ctconline.com



PROTECTION & RELIABILITY
OPTIMIZATION INSTRUMENTS
CONNECT TO CONFIDENCE