

# LP932-5XC Series

Low Capacitance, Class I, Division 2/Zone 2 Loop Power Sensor, For Use In "Non-Arcing, Non-Sparking" Environments, Top Exit Flying Leads, Acceleration, 4-20 mA Output

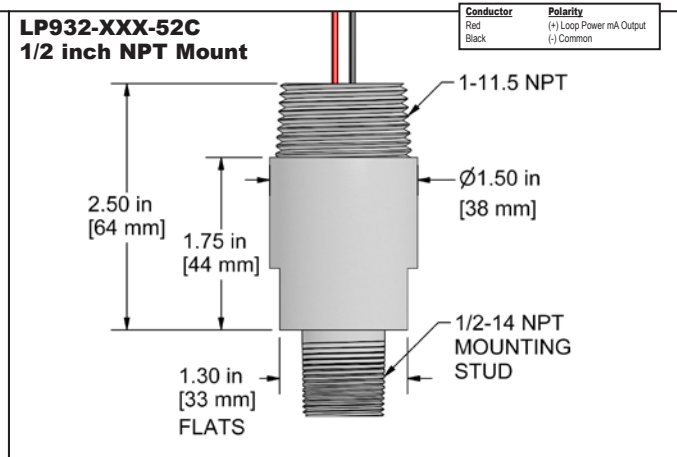
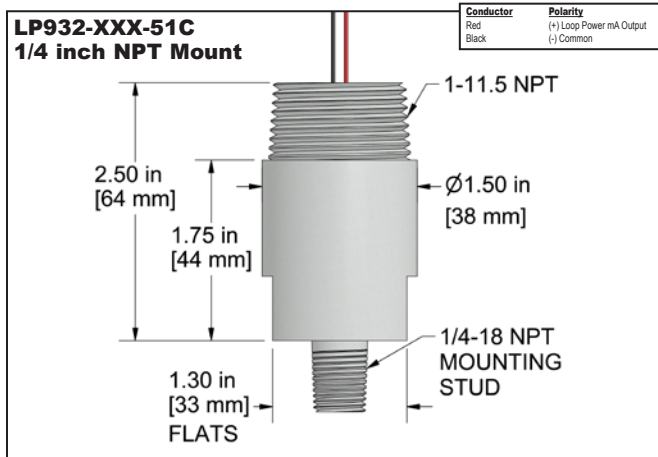


## Product Features

**Continuous Monitoring in Hazardous Locations**

**Acceleration 4-20 mA Output for Applications in Hazardous Locations**

- With 1 inch NPT fitting
- Non-Arcing, Non-Sparking Sensor for Class I, Division 2
- Enables Vibration Alarms for Process Control



Specifications	Standard	Metric
Output, 4-20 mA	See Selection Guide	
Measurement Range		
<b>Tolerances</b>		
4 mA	± 5%	
20 mA	± 10%	
<b>Electrical</b>		
Settling Time (Turn on Time) @ Room Temp (68°F/20°C)	<60 Seconds	
Power Requirement (Loop Powered) Voltage Source	12-28 VDC	
Electrical Case Isolation	>10 <sup>8</sup> ohm	
<b>Environmental</b>		
Temperature Range	-40 to 176°F	-40 to 80°C
Electromagnetic Sensitivity	CE	
Sealing	IP68	

Specifications	Standard	Metric
<b>Physical</b>		
Sensing Element	PZT Ceramic	
Sensing Structure	Shear Mode	
Weight	12 oz	340 grams
Case Material	316L Stainless Steel	
Mounting	1/4 NPT (LP932-51C) 1/2 NPT (LP932-52C)	
Connector	Flying Leads	
<b>Mechanical</b>		
Mounting Torque	2 to 5 ft. lbs.	2.7 to 6,8 Nm
<b>Supplied Accessories</b>		
Calibration Certificate	Current Output @ 100 Hz	

## Ordering Information

LP932    - 5  C

Measurement Range	Range Type	Frequency Range +/- 3dB	Style
1 = 0-1g	R = RMS P = Peak	1 = 600-60,000 CPM (10-1000 Hz)	51C = 1 inch NPT with 24 inch flying leads with 1/4 inch NPT Mount  52C = 1 inch NPT with 24 inch flying leads and 1/2 inch NPT Mount
2 = 0-2g			
5 = 0-5g			
10 = 0-10g			
20 = 0-20g			



**Read Before Purchasing**  
Important information on **Regulatory Approvals and Requirements** on Page 351



**Lifetime Warranty on Materials & Workmanship**