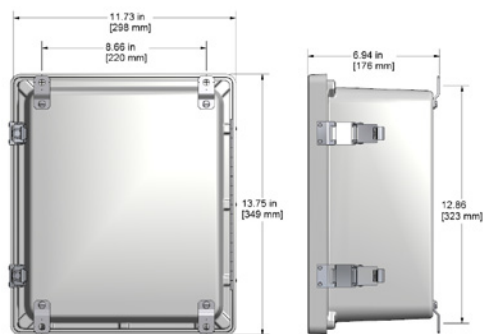


RXE150 Series

Signal Conditioner/Relay Enclosure, 1-4 Channel (up to 4 Signal Conditioners & 4 Relays)

RXE150-03-03-CB (as shown)

Fiberglass Enclosure



1-4 Channel Enclosure Drawing

Product Features

Accommodates up to 4 4-20 mA Signal Conditioners and 4 relay units from remotely installed sensors to PLC/DCS systems and portable data collectors

- Enclosure protects components from dirt, dust, oil and water
- Accepts input from various sensor (acceleration, velocity and dual temperature/vibration)
- For use with SC200 Series signal conditioners and RE200-RD Series relays (sold separately)
- Includes internal DC Power Supply with 100-240 VAC, 50-60 Hz Input, 24 VDC output
- **Signal Conditioners and Relays Sold Separately**

Specifications

Sensors Inputs	Vibration Input: 1 Input per channel
Each 4-20 mA output requires isolated common (not shared)	
Output	BNC Jack for Dynamic Signal and Screw Terminal Outputs for 4-20 mA signal
Power	100-240 VAC
Rating	NEMA 4X (IP66)
Door Closure	Snap Latches
Material	Fiberglass
Operating temperature range	-4° to 140°F (-20° to 60°C)
Resistance	Resistant to Hose Directed Fluid and Corrosion

Cooling is required if internal temperature of RXE enclosure exceeds 140°F (60°C).

Ordering Information

RXE150 - - - -

# of Signal Con.	# of Relays	Enclosure Entry	Enclosure Exit
00 = None	00 = None	A = None	A = None
01 = 1	01 = 1	B = 1 1/4" Conduit fitting for cable entry & 1/2" conduit fitting for power C = Cord grips (1 per ch.) & 1/2" conduit fitting for power	B = 1 1/4" Conduit Fitting
02 = 2	02 = 2		
03 = 3	03 = 3		
04 = 4	04 = 4		

All Products Are Built To Order

Signal Conditioners and Relays Sold Separately

Note: Must Specify Which SC200 Series & RE200 Series Units at the Time of Order

Example Part Number: **RXE150-04-04-AA**
4 signal conditioners & 4 relays

Lifetime Warranty on Materials & Workmanship

www.ctconline.com

