

Actual Product Size Shown



### Product Features

#### High Temperature (325°F) Sensor

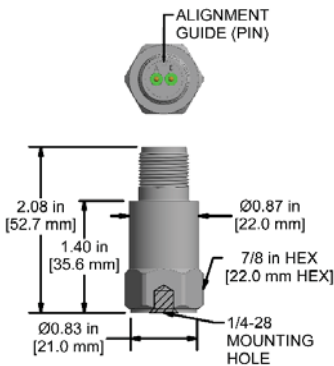
Proven Sensor for Standard High Temperature Applications

- Resistant to Temperatures Up to 325°F (162°C)
- 6D Version Features Armor and Heavy Duty Teflon® Jacketed Cable with Braided Shield for Demanding Applications
- ±80 g, Peak Dynamic Range

#### AC207-1D

2 Pin Connector

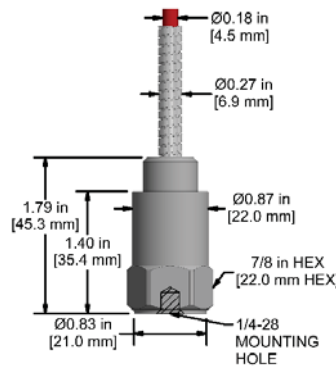
Connector Pin Polarity	(+) Signal / Power	(-) Common
A	(+) Signal / Power	(-) Common
B	(-) Common	(+) Signal / Power



#### AC207-5D

Armored Integral Cable

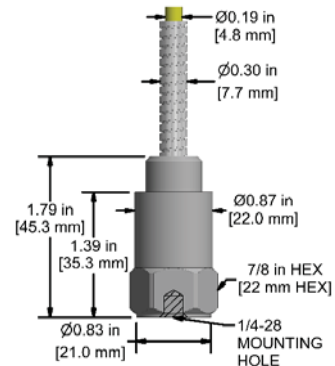
Conductor	Polarity	(+) Signal / Power	(-) Common	Cable Drain Wire
Red	(+) Signal / Power	(-) Common	(+) Signal / Power	(-) Common
Black	(-) Common	(+) Signal / Power	(-) Common	(+) Signal / Power
Shield	(+) Signal / Power	(-) Common	(+) Signal / Power	(-) Common



#### AC207-6D

Heavy Duty Armored Integral Cable

Conductor	Polarity	(+) Signal / Power	(-) Common	Cable Drain Wire
Red	(+) Signal / Power	(-) Common	(+) Signal / Power	(-) Common
Black	(-) Common	(+) Signal / Power	(-) Common	(+) Signal / Power
Shield	(+) Signal / Power	(-) Common	(+) Signal / Power	(-) Common



Specifications	Standard	Metric
Part Number	AC207	M/AC207
<b>Vibration</b>		
Sensitivity (±10%)	100 mV/g	
Frequency Response (±3dB)	30-750,000 CPM	0.5-12500 Hz
Frequency Response (±10%)	120-360,000 CPM	2.0-6000 Hz
Dynamic Range	±80 g, peak	
<b>Electrical</b>		
Settling Time	<2.5 Seconds	
Voltage Source (IEPE)	18-30 VDC	
Constant Current Excitation	2-10 mA	
Spectral Noise @ 10 Hz	8 µg/√Hz	
Spectral Noise @ 100 Hz	0.82 µg/√Hz	
Spectral Noise @ 1000 Hz	0.3 µg/√Hz	
Output Impedance	<100 ohm	
Bias Output Voltage	10-14 VDC	
Case Isolation	>10 <sup>8</sup> ohm	

Specifications	Standard	Metric
<b>Environmental</b>		
Temperature Range	-58 to 325°F	-50 to 162°C
Maximum Shock Protection	5,000 g, peak	
Electromagnetic Sensitivity	CE	
Sealing	Welded, Hermetic	
<b>Physical</b>		
Sensing Element	PZT Ceramic	
Sensing Structure	Shear Mode	
Weight	3 oz.	86 grams
Case Material	316L Stainless Steel	
Mounting Hole	1/4-28	
Connector (non-integral)	2 Pin-MIL-C-5015	
Resonant Frequency	1,380,000 CPM	23000 Hz
Mounting Torque	2 to 5 ft. lbs.	2.7 to 6.8 Nm
Mounting Hardware	1/4-28 Stud	M6x1 Adapter Stud
Calibration Certificate	CA10	

### Ordering Information

Standard	AC207-1D (1/4-28 Stud)	AC207-5D / (1/4-28 Stud)	AC207-6D / (1/4-28 Stud)
	Stock	Build To Order	Build To Order
		(maximum armor length 100 ft.) (cable length in feet) (termination)	(maximum armor length 20 ft.) (cable length in feet) (termination)
Metric	M/AC207-1D (M6x1 Adapter Stud)	M/AC207-5D / (M6x1 Adapter Stud)	M/AC207-6D / (M6x1 Adapter Stud)
	Stock	Build To Order	Build To Order
		(maximum armor length 30 m) (cable length in meters) (termination)	(maximum armor length 6 m) (cable length in meters) (termination)

Cable

E,



F,



L,



Z,



Backed by our Unconditional Lifetime Warranty